

SPECIFICATIONS:

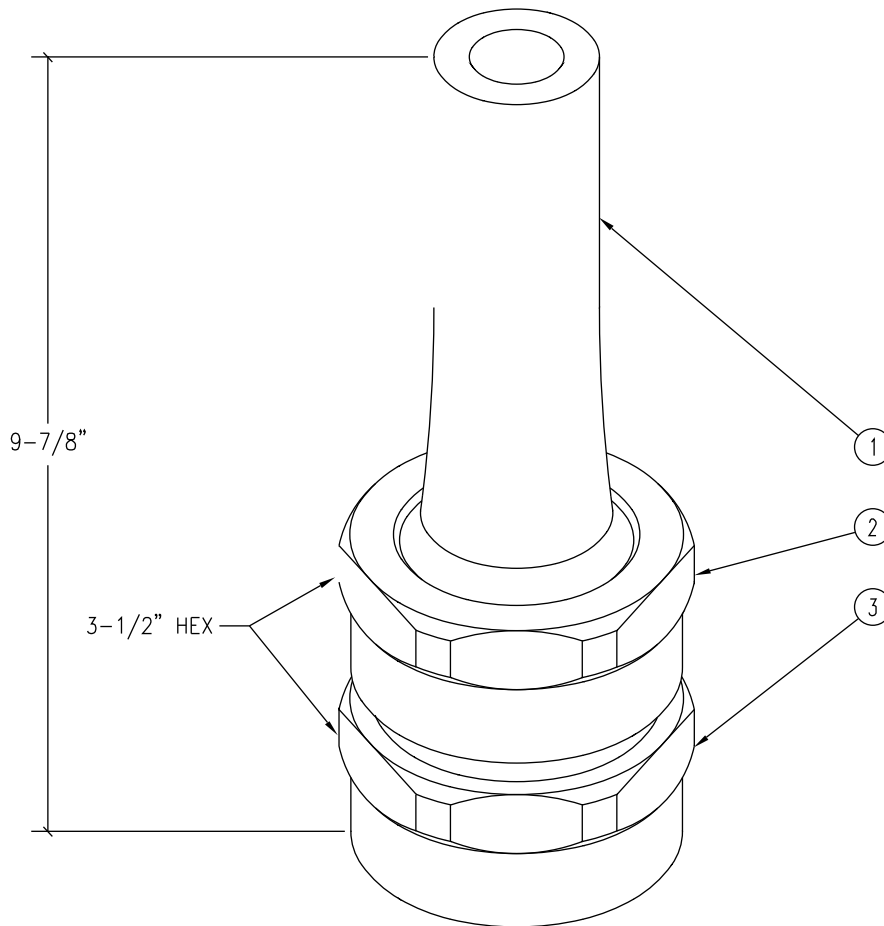
JS1000, 1" DIAMETER BRASS SMOOTH BORE JET - All brass precision machined construction with 2-1/2" FPT inlet with swivel joint to make perfect vertical adjustment possible.

JET FLOW CHART:

HT.	10'	15'	20'	30'	40'	50'	60'	HT.
JS1000	75	92	110	130	149	165	180	GPM
	15'	21'	28'	43'	56'	70'	84'	TDH

PARTS LIST:

ITEM	QTY.	DESCRIPTION
①	1	SMOOTH BORE JET BRASS
②	1	SWIVEL COLLAR BRASS
③	1	SWIVEL BASE/ADAPTER BRASS



JS1000

1" Adjustable Smooth Bore Jet

5500 N.W.22 AVE. FT. LAUDERDALE, FL 33309

PHONE: 1-800-777-4255 * 1-954-484-8530