

SPECIFICATIONS:

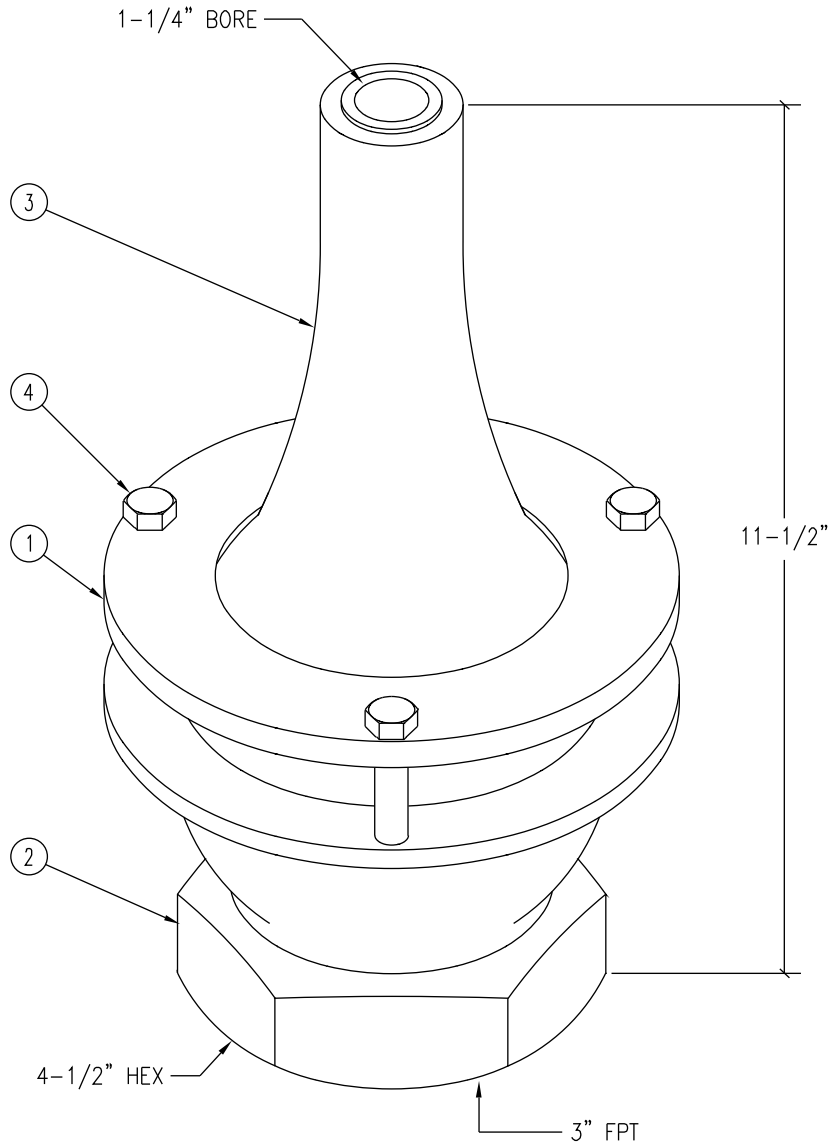
JS1250 MACHINED CAST BRONZE SMOOTH BORE JET – features an 1-1/4" smooth bore discharge and a 3" FPT inlet with swivel joint for precise vertical adjustment.

JET FLOW CHART:

HT.	15'	20'	30'	40'	50'	60'	HT.
JS1250	130	170	205	235	260	290	GPM
	21'	28'	43'	56'	70'	84'	TDH

PARTS LIST:

ITEM	QTY.	DESCRIPTION
①	1	SWIVEL COLLAR CAST BRONZE
②	1	SWIVEL BASE/ADAPTER CAST BRONZE
③	1	SMOOTH BORE JET CAST BRONZE
④	1	HEX HEAD MACHINE BOLT STAINLESS STEEL



JS1250

1-1/4" Adjustable Smooth Bore Jet

5500 N.W.22 AVE. FT. LAUDERDALE, FL 33309

PHONE: 1-800-777-4255 * 1-954-484-8530