

## SPECIFICATIONS:

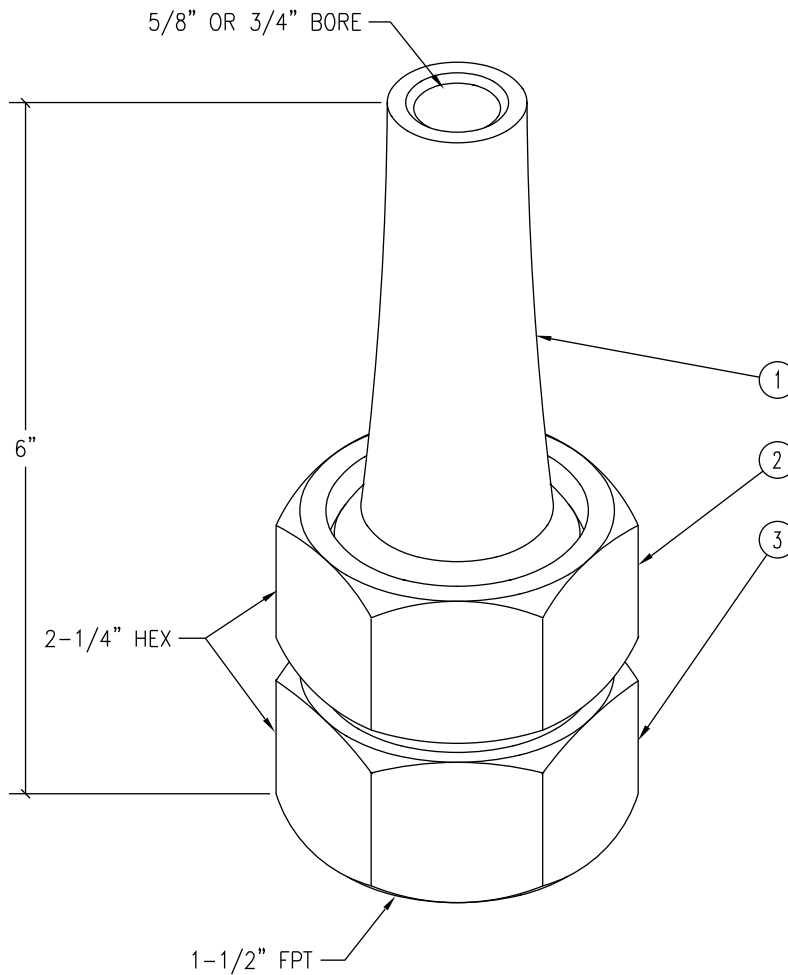
JS625 & JS750, 5/8" & 3/4" BRASS SMOOTH BORE JET - All brass precision machined construction with 1-1/2" FPT inlet with swivel joint to make perfect vertical adjustment possible.

## JET FLOW CHART:

HT.	6'	8'	10'	15'	20'	30'	40'	50'	HT.
JS625	20	24	29	36	40	50	58	65	GPM
	9'	12'	15'	21'	28'	43'	56'	70'	TDH
JS750	40	43	46	53	59	74	83	93	GPM
	9'	12'	15'	21'	28'	43'	56'	70'	TDH

## PARTS LIST:

ITEM	QTY.	DESCRIPTION
①	1	SMOOTH BORE JET BRASS
②	1	SWIVEL COLLAR BRASS
③	1	SWIVEL BASE/ADAPTER BRASS



# JS625 & JS750

## 5/8" & 3/4" Adjustable Smooth Bore Jets

5500 N.W.22 AVE. FT. LAUDERDALE, FL 33309

PHONE: 1-800-777-4255 \* 1-954-484-8530