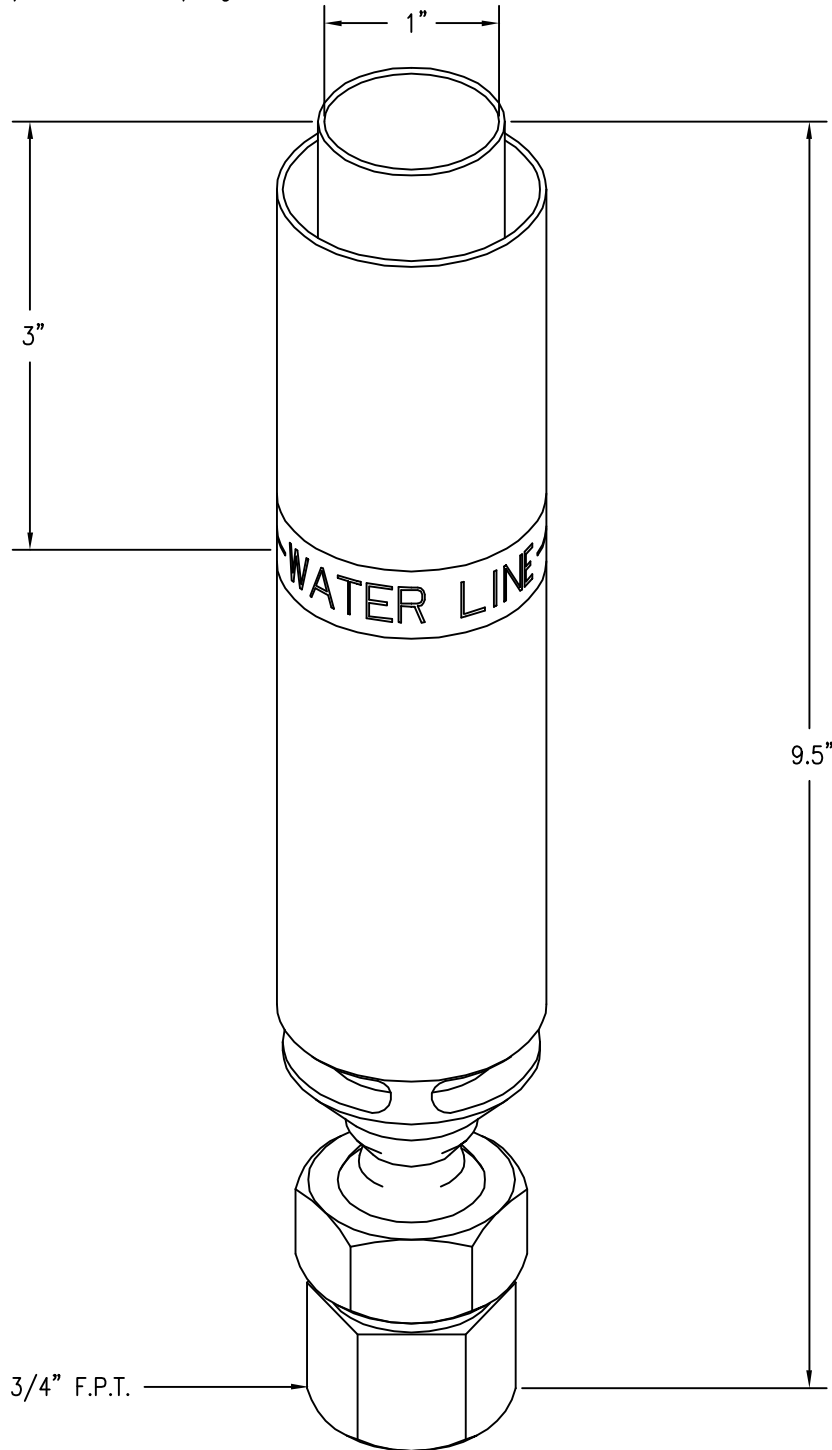


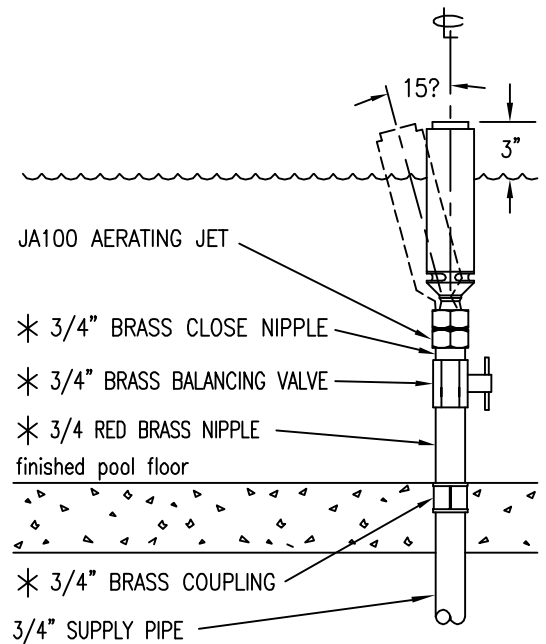
# SPECIFICATIONS:

JA100 MACHINED BRASS AND COPPER AERATING JET – features a 1" discharge and a 3/4" FPT inlet with a swivel joint for angle adjustment. Optional items by Hall Fountains, Inc. include a 3/4" brass close nipple, a 3/4" bronze balancing valve with copper handle, a 3/4" brass riser, and a 3/4" brass coupling.



# FLOW DATA:

HEIGHT	GPM	TDH
2'	6	12'
4'	7	15'
6'	10	21'
8'	12	28'



Typical Installation Detail

\* INDICATES AN OPTIONAL ITEM BY HALL FOUNTAINS, INC.



# JA100

## Copper & Brass Aerating Jet

5500 N.W.22 AVE. FT. LAUDERDALE, FL 33309

PHONE: 1-800-777-4255 \* 1-305-484-8530