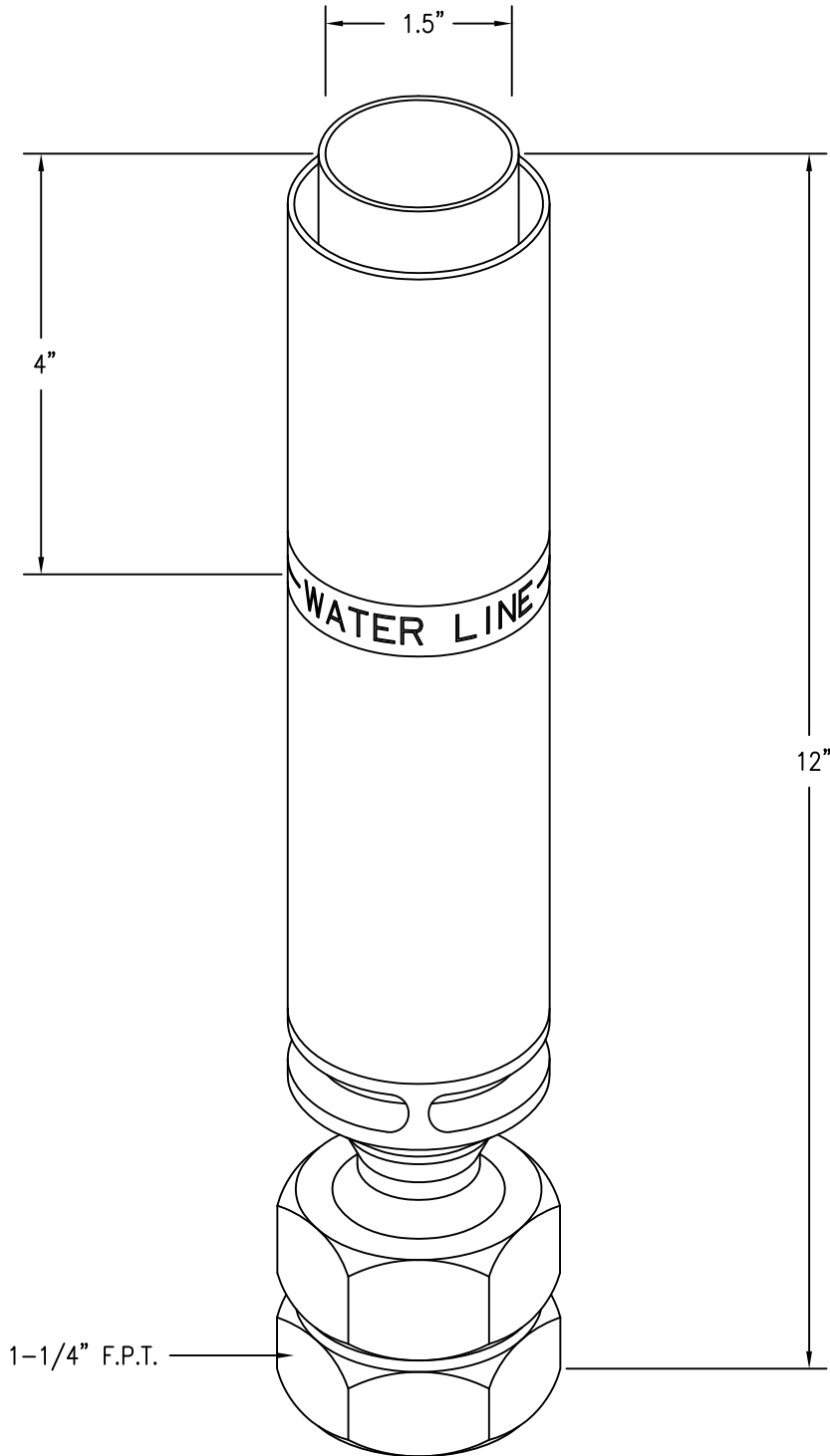


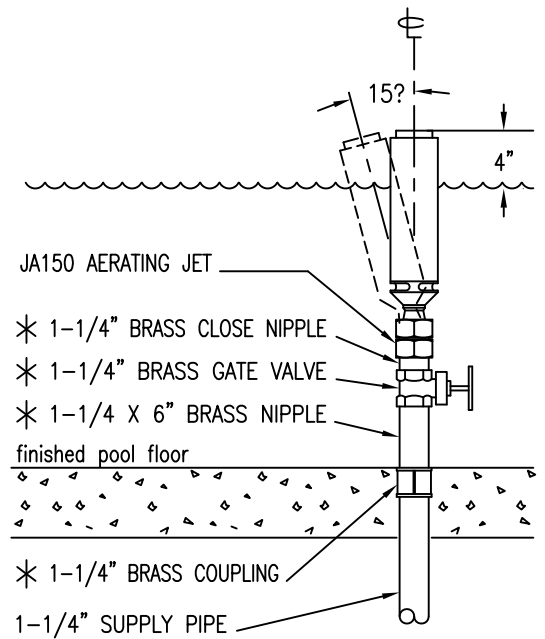
SPECIFICATIONS:

JA150 MACHINED BRASS AND COPPER AERATING JET - features a 1-1/2" discharge and a 1-1/4" FPT inlet with a swivel joint for angle adjustment. Optional items by Hall Fountains, Inc. include a 1-1/4" brass close nipple, a 1-1/4" bronze balancing valve with copper handle, a 1-1/4" brass riser, and a 1-1/4" brass coupling.



FLOW DATA:

HEIGHT	GPM	TDH
4'	14	15'
6'	17	21'
8'	20	28'
10'	23	34'
15'	30	63'



Typical Installation Detail

* INDICATES AN OPTIONAL ITEM BY HALL FOUNTAINS, INC.



JA150 Aerating Jet

5500 N.W.22 AVE. FT. LAUDERDALE, FL 33309

PHONE: 1-800-777-4255 * 1-954-484-8530