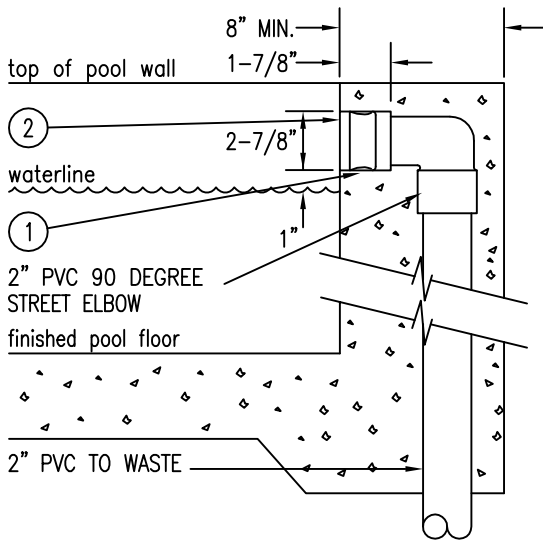
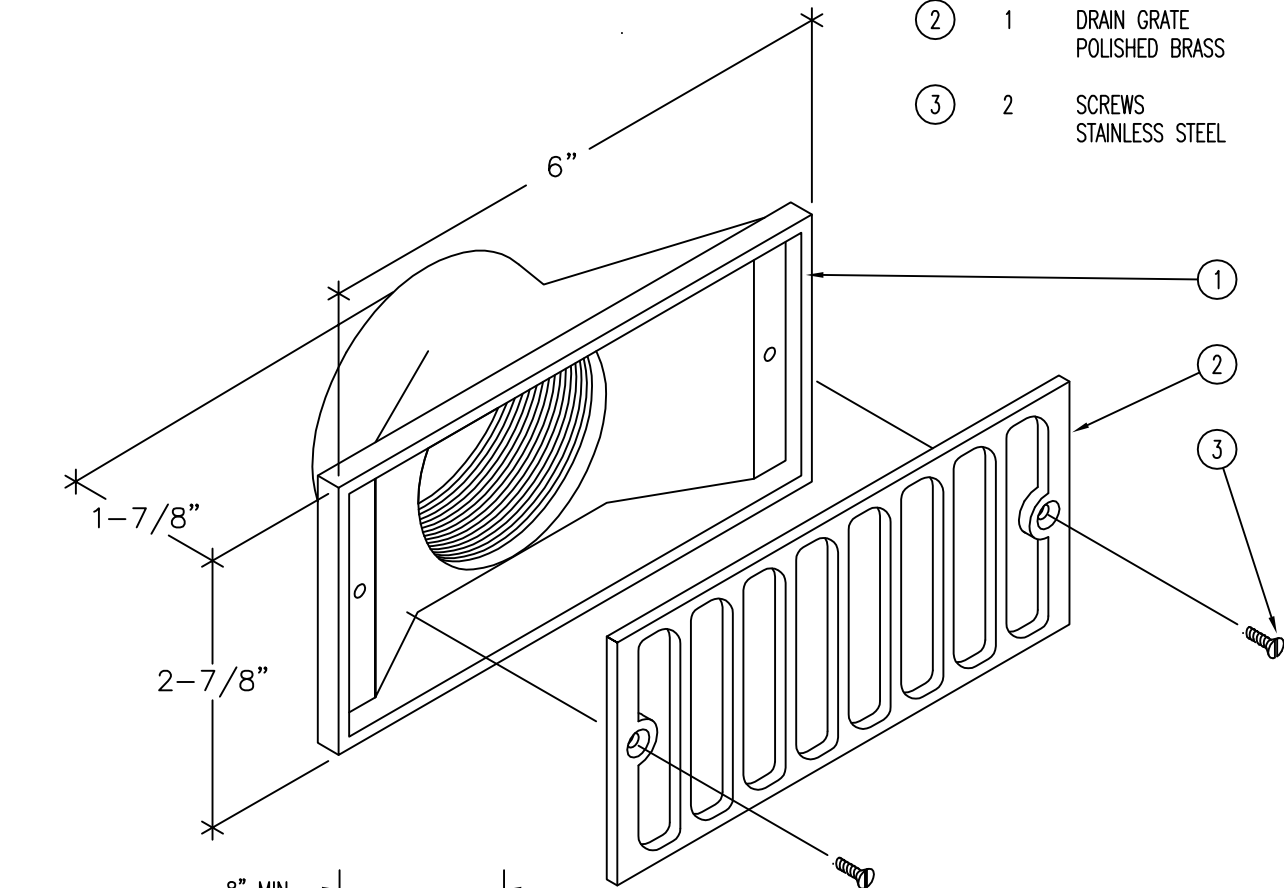


# SPECIFICATIONS:

OF200F SIDEWALL OVERFLOW/SUMP VENT – features heavy duty polished brass construction with a removable grate and stainless steel screws. Fitting has a 2" FPT inlet, and is designed for use in a poured concrete wall.

# PARTS LIST:

ITEM	QTY.	DESCRIPTION
①	1	DRAIN BODY POLISHED BRASS
②	1	DRAIN GRATE POLISHED BRASS
③	2	SCREWS STAINLESS STEEL



Exploded View

NOT TO SCALE

Typical Installation Detail

NOT TO SCALE



# OF200F

## Sidewall Overflow/Sump Vent

5500 N.W.22 AVE. FT. LAUDERDALE, FL 33309

PHONE: 1-800-777-4255 \* 1-954-484-8530