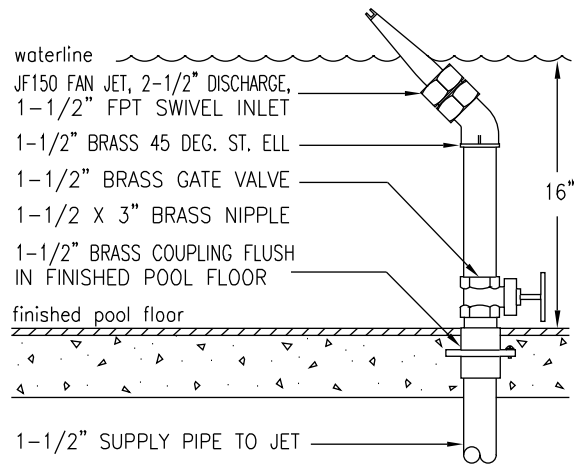
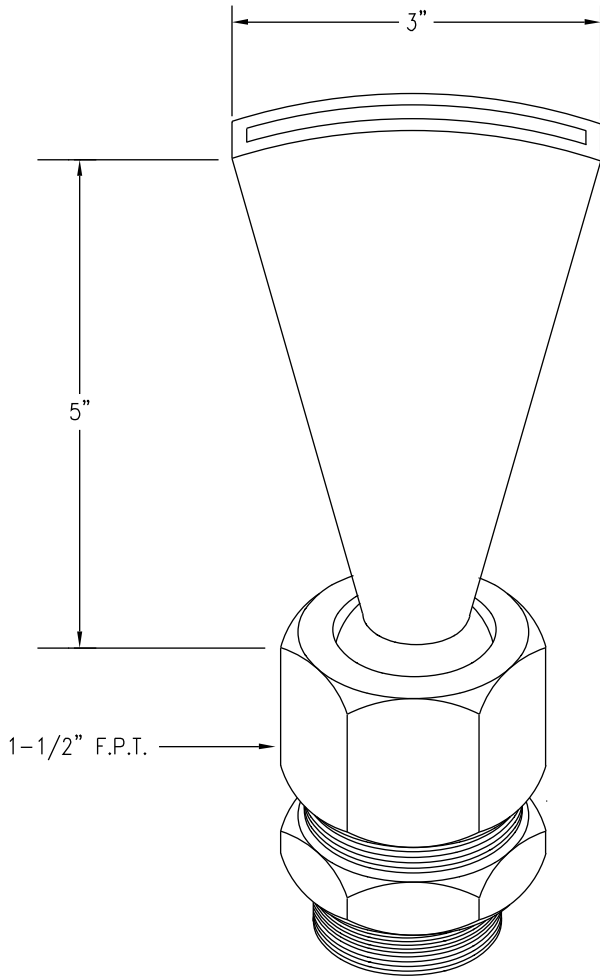


# SPECIFICATIONS:

JF150 CAST BRONZE AND BRASS FAN JET – Manufactured from cast bronze and brass with a 1-1/2" FPT angle adjustable inlet for precise jet alignment.

# JET FLOW CHART:

Distance	4'	6'	12'
Width	30"	4"	7"
GPM	16	21	40
TDH	4'	6'	12'



## JF150 Fan Jet

N.T.S. Typical Installation Detail



# JF150 Fan Jet

5500 N.W.22 AVE. FT. LAUDERDALE, FL 33309

PHONE: 1-800-777-4255 \* 1-954-484-8530