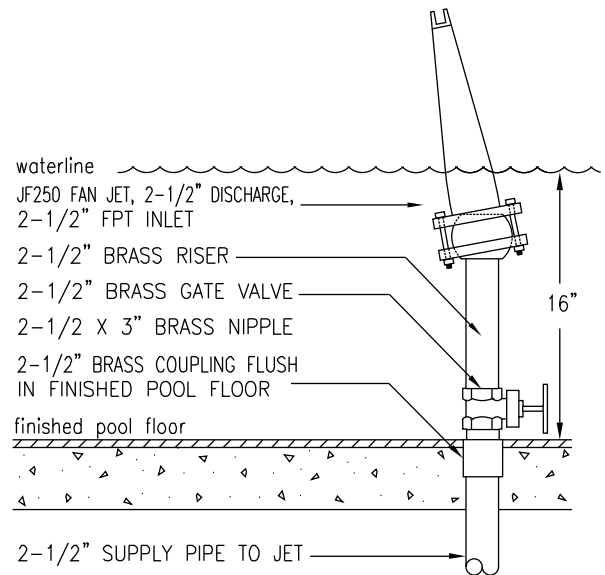
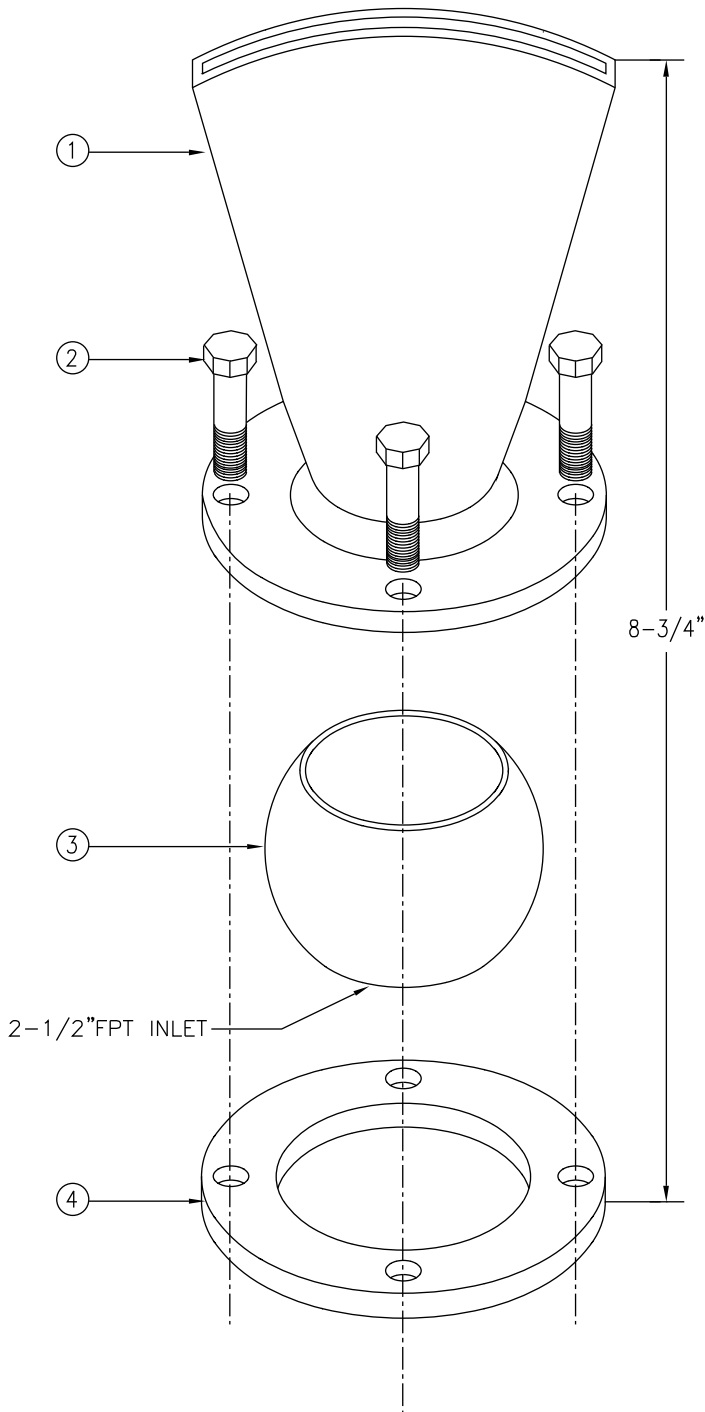


# SPECIFICATIONS:

JF250 CAST BRONZE AND BRASS FAN JET - Manufactured from cast bronze and brass with a 1-1/2" FPT angle adjustable inlet for precise jet alignment.

# PARTS LIST

- ① JF250 BRASS FAN JET
- ② BOLT
- ③ THREADED BRASS SWIVEL BALL(2-1/2"FPT)
- ④ LOWER RETAINER RING



## JF250 Fan Jet

N.T.S. Typical Installation Detail



# JF250 Fan Jet

5500 N.W.22 AVE, FT. LAUDERDALE, FL 33309

PHONE: 1-800-777-4255 \* 1-954-484-8530