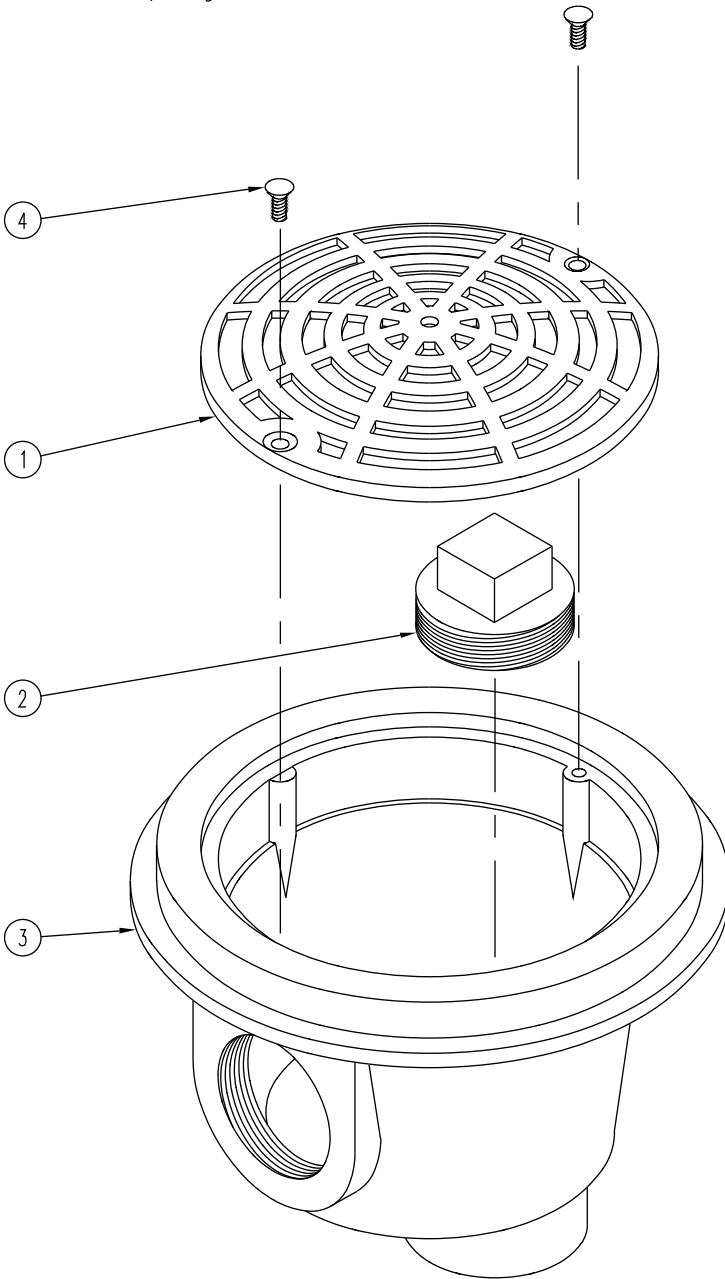


SPECIFICATIONS:

MD200 MAIN DRAIN FITTING – manufactured from heavy duty white cyclac. Supplied complete with grate and stainless steel screws. The MD200 has a 2" FPT inlet in both the side and bottom and comes with one 2" MPT plug for the unused opening.

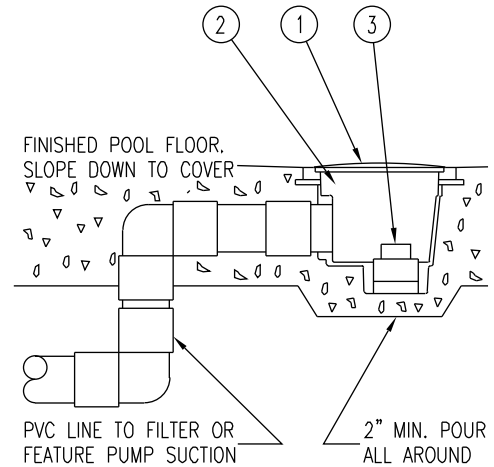


Exploded View

NOT TO SCALE

PARTS LIST:

ITEM	QTY.	PART #	DESCRIPTION
①	1	MD200G	FLOOR DRAIN GRATE CYCOLAC
②	1	MD200B	FLOOR DRAIN BODY CYCOLAC
③	1	MD200P	FLOOR DRAIN PLUG CYCOLAC
④	2	MD200SC	FLAT HEAD SCREW STAINLESS STEEL



Typical Installation

NOT TO SCALE



MD200

Cyclac Floor Drain and Grate

5500 N.W.22 AVE. FT. LAUDERDALE, FL 33309

PHONE: 1-800-777-4255 * 1-954-484-8530