

# SPECIFICATIONS:

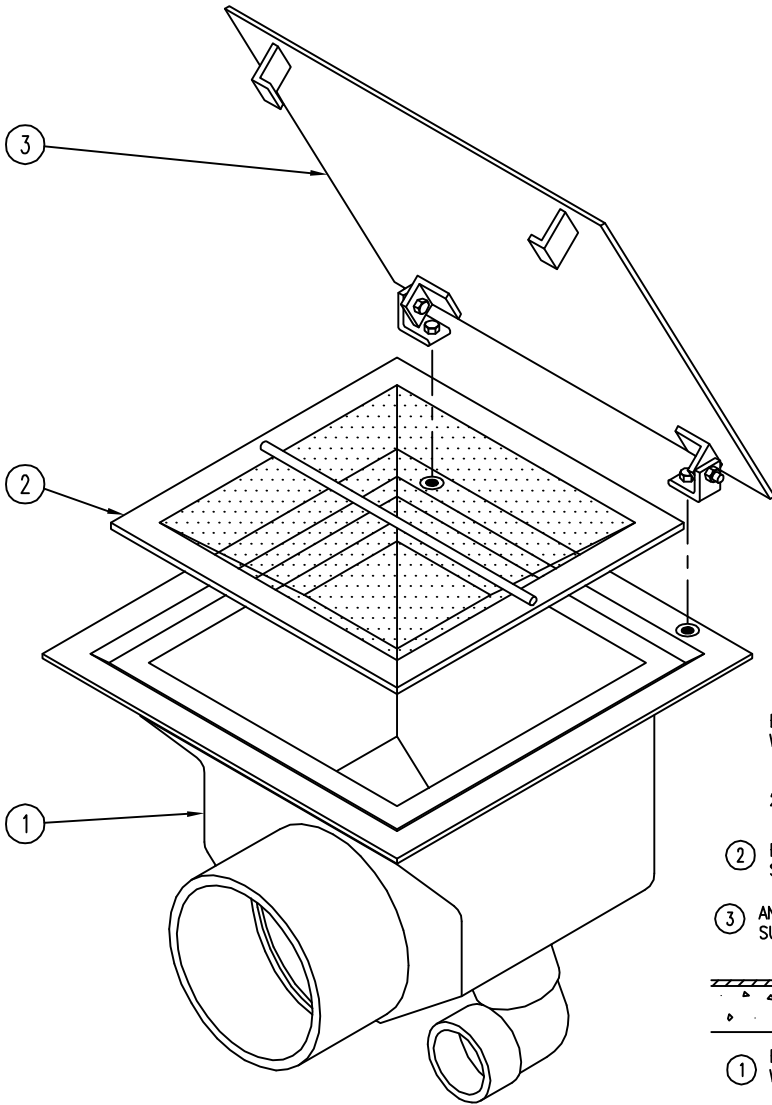
**HS2400-AV FIBERGLAS INTAKE SUMP** – with a stainless steel anti-vortex cover. The intake sump is fabricated from reinforced fibreglas and includes sidewall PVC sleeve penetrations for a 6" main intake line and a 2" filter intake line, and a bottom PVC sleeve penetration with a removable plug for a 2" drain to waste. The anti-vortex cover is fabricated from 10 gauge, type 304 polished stainless steel and is hinged at one end. The cover is fastened to the sump with stainless steel bolts. The sump also includes a stainless steel strainer basket that sits down in the sump and is easily removed for cleaning.

# PARTS LIST:

ITEM	QTY.	DESCRIPTION
①	1	ANTI-VORTEX SUMP BODY REINFORCED FIBERGLAS
②	1	ANTI-VORTEX STRAINER BASKET STAINLESS STEEL
③	1	ANTI-VORTEX SUMP COVER STAINLESS STEEL

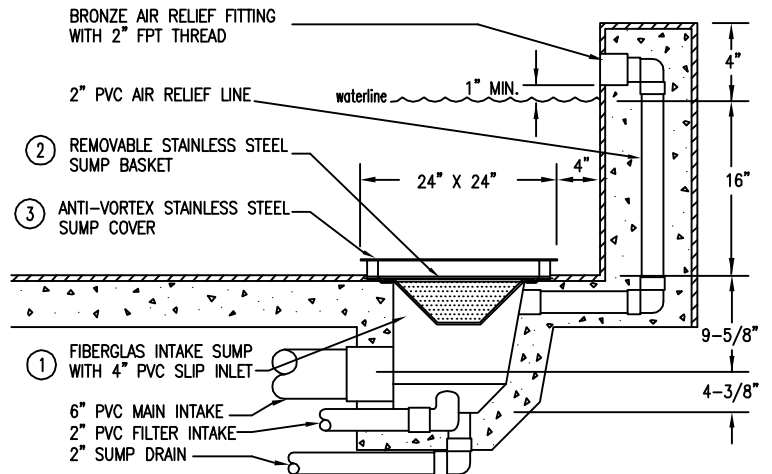
# NOTE:

The HS2400-AV intake sump is supplied with removable plugs in all the sleeves so that the piping can be pressure tested. These must be removed before filling for system start-up.



Exploded View

NOT TO SCALE



Typical Installation

N.T.S. Typical Installation Detail



# HS2400-AV Anti-Vortex Intake Sump

5500 N.W.22 AVE. FT. LAUDERDALE, FL 33309

PHONE: 1-800-777-4255 \* 1-954-484-8530