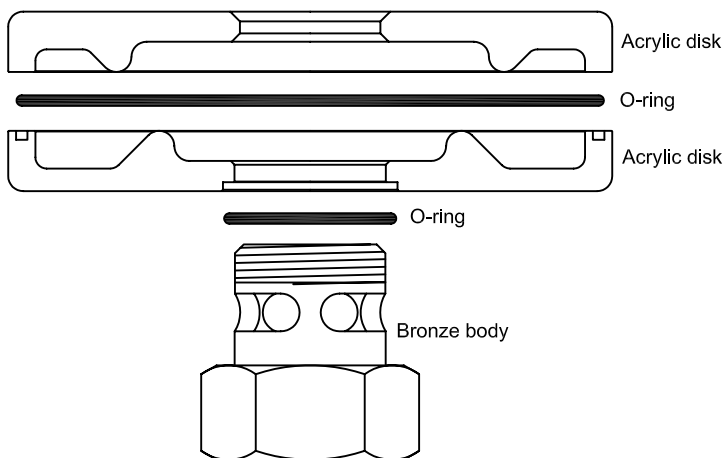
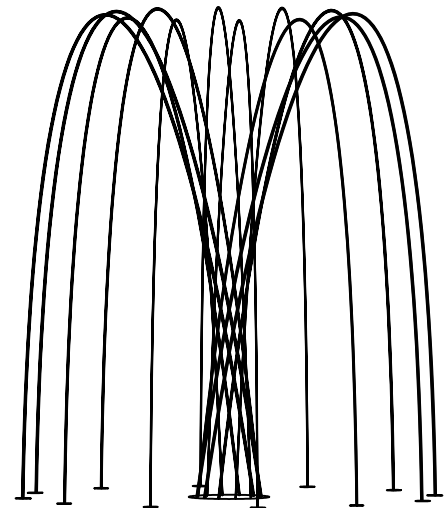
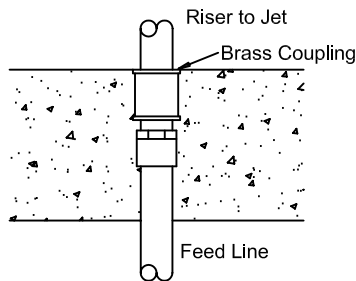
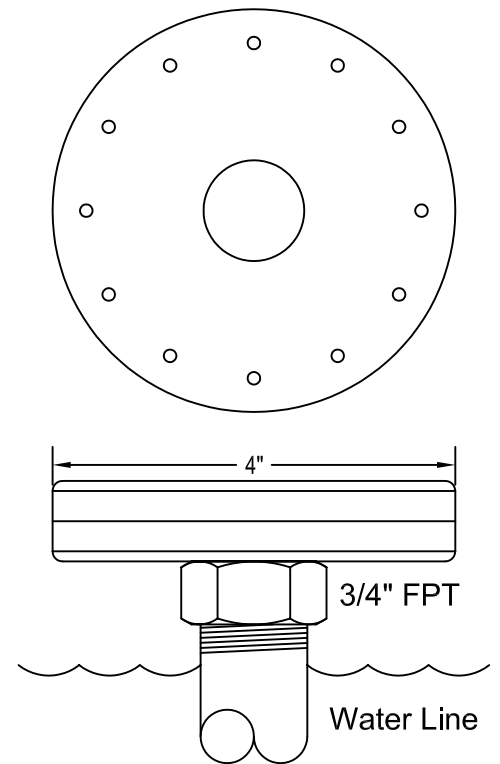


XJ22 Basket Jet

The XJ22 is a unique basket weave jet constructed with a bronze center and two acrylic body disks. The jet has a $\frac{3}{4}$ " female pipe thread inlet. The bronze center has a set of slots that feed the water into the jet chamber. The jet chamber has a circle of 12 integral jets arching up and across the jet to create a lattice work of water. The height is raised or lowered by the use of a valve in your feed line. The jet should be installed so that it sets just above the water level. Because of the relative small holes in the jet you should have an intake screen with fine enough mesh to keep debris out of the jet or use return water from the filter system. If the jet should require cleaning, remove jet from feed pipe and simply grip the jet up side down in the palm of you hand and turn the bronze center counter clock wise out of the acrylic disks. The jet sections will come apart. Clean inside of jet and any jet holes that may be clogged. Make sure O-rings are in place and reassemble. Screw in center until all parts are seated, make sure all O-rings are still in position. Hand tighten only. Reinstall jet on feed line.

Jet can be used with a small submersible pump in pools NOT INTENDED for swimming or bathing. If supplied from a remote pump, a brass coupling is recommended flush in the pool floor with a riser of the proper length. Riser must be plumb for optimum effect. When used in conjunction with swimming pool water, jet should be in it's own pool or an area protected from swimmers as jet and riser can be an obstacle which mite cause tripping.



Flow Chart for XJ22 Basket Jet

Height & Width	2'	3'	4'
GPM	5	6.2	7.4
TDH	3.5	5	7

TDH=Total Dynamic Head in Feet at the Jet
GPM=Gallons per Minute



5500 NW 22nd Ave.

Fort Lauderdale, FL 33309

800-777-4255 Fax 954-484-2393

www.hallxstreams.com

Model Number

XJ22