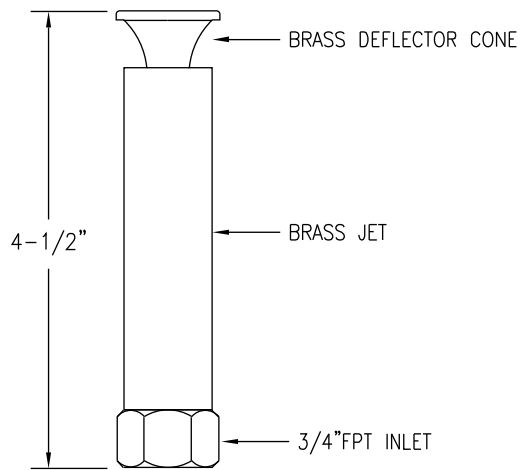
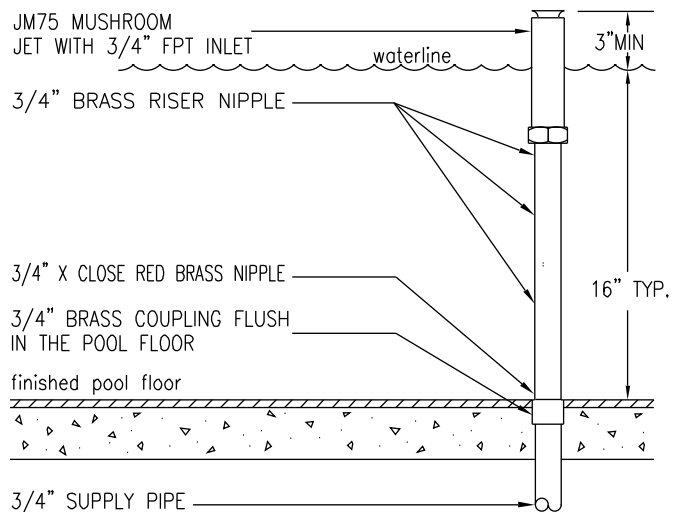


SPECIFICATIONS:

JM75 MACHINED BRASS MUSHROOM JET - features a 3/4" FPT inlet, jet produces a sheer dome of water with a maximum diameter of 24".



	WIDTH	1.5'	2'	3'	4'	6'	8'
	GPM						
MODEL	INLET						
JM75	3/4" FPT	6	7.5				
JMG75	3/4" FPT	6	7.5				
JM150	1-1/2"	15	20	26			
JMG150	1-1/2"	22	27	38			
JM300	3" FPT	ADJUSTABLE HEAD					
JMG300	3" FPT	70-200 GPM					



JM75 Mushroom Jet

N.T.S. Typical Installation Detail



FOUNTAINS, INC.

JM75 Mushroom Jet

5500 N.W.22 AVE. FT. LAUDERDALE, FL 33309

PHONE: 1-800-777-4255 * 1-954-484-8530