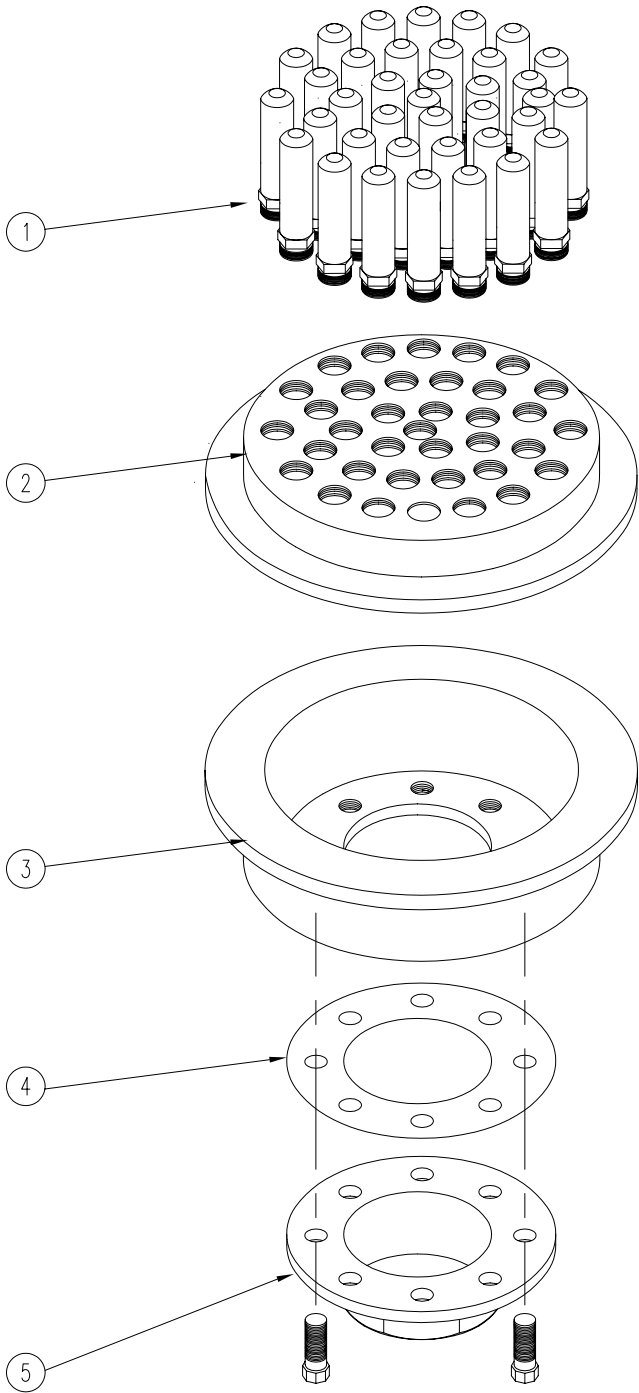


SPECIFICATIONS:

JP12-1 BRASS POD JET - features a 12" diameter one-piece welded cast bronze pod with (36) 5/16" brass smooth-bore jets and a 6"PVC flanged inlet.



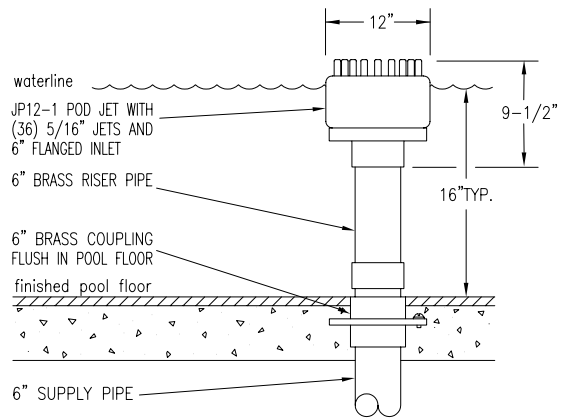
Exploded View
NOT TO SCALE

PARTS LIST:

| ITEM | QTY. | DESCRIPTION |
|------|------|-----------------------------|
| ① | 36 | 5/16"BRASS SMOOTH BORE JETS |
| ② | 1 | UPPER HALF OF POD JET |
| ③ | 1 | BOTTOM HALF OF POD JET |
| ④ | 1 | RUBBER GASKET |
| ⑤ | 1 | 6"PVC FLANGED INLET |

FLOW CHART:

| HEIGHT | 10' | 15' | 20' | 30' |
|--------|-----|-----|-----|-----|
| G.P.M. | 252 | 360 | 432 | 576 |
| T.D.H. | 15' | 22' | 28' | 43 |



Installation Detail
NOT TO SCALE



JP12-4 Brass Pod Jet

5500 N.W.22 AVE. FT. LAUDERDALE, FL 33309

PHONE: 1-800-777-4255 * 1-954-484-8530