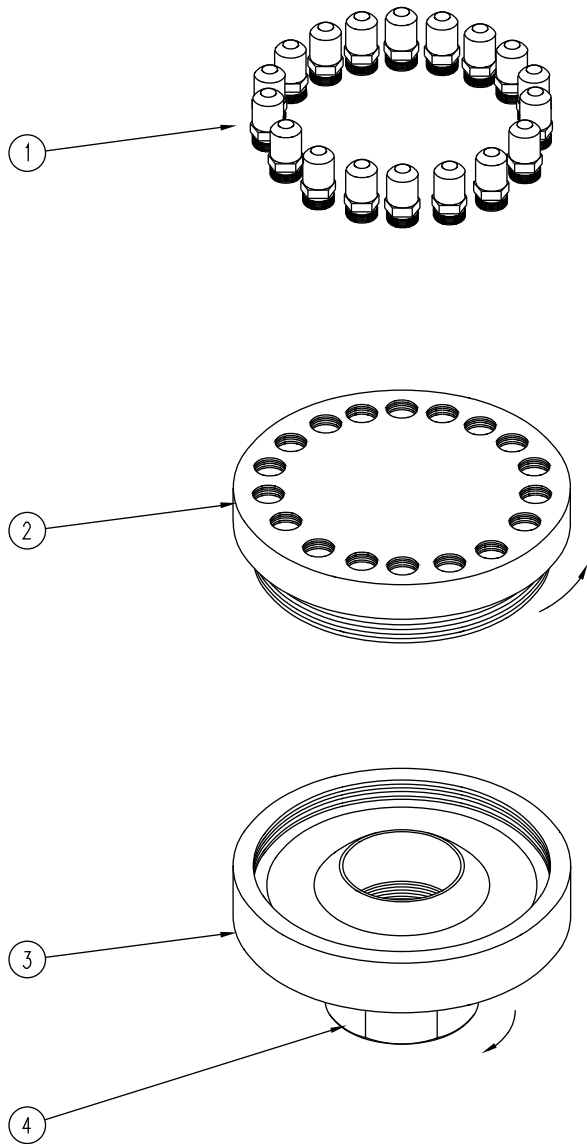


SPECIFICATIONS:

JP4-2 BRASS POD JET - features a 4" diameter pod, 1-1/2" FPT inlet with eighteen 1/8" brass smooth bore jets. Pod is manufactured in two brass halves that screw apart for cleaning.



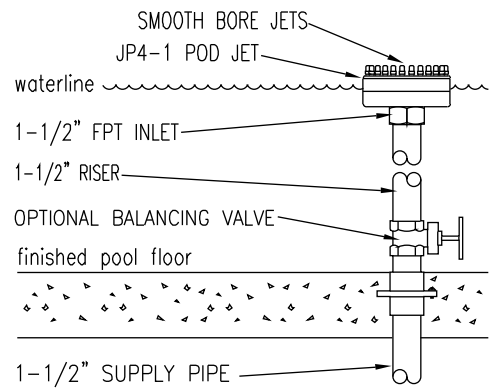
Exploded View
NOT TO SCALE

PARTS LIST:

| ITEM | QTY. | DESCRIPTION |
|------|------|------------------------|
| ① | 18 | BRASS SMOOTH BORE JETS |
| ② | 1 | UPPER HALF OF POD JET |
| ③ | 1 | BOTTOM HALF OF POD JET |
| ④ | 1 | 1-1/2" FPT INLET |

FLOW CHART:

| HEIGHT | 5' | 10' | 15' |
|--------|----|-----|-----|
| G.P.M. | 12 | 17 | 25 |
| T.D.H. | 8' | 15' | 22' |



Typical Installation
NOT TO SCALE



JP4-1 Brass Pod Jet

5500 N.W. 22 AVE. FT. LAUDERDALE, FL 33309

PHONE: 1-800-777-4255 * 1-954-484-8530