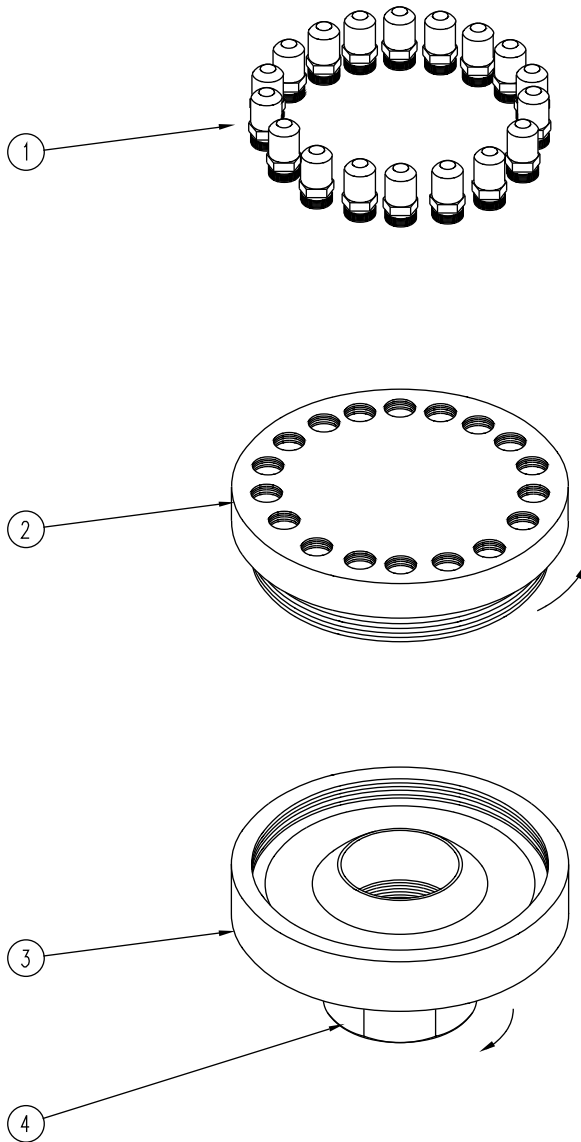


SPECIFICATIONS:

JP4-2 BRASS POD JET - features a 4" diameter pod, 1-1/2" FPT inlet with eighteen 3/16" brass smooth bore jets. Pod is manufactured in two brass halves that screw apart for cleaning.



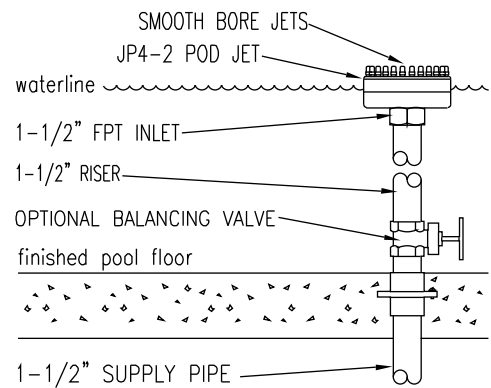
Exploded View
NOT TO SCALE

PARTS LIST:

ITEM	QTY.	DESCRIPTION
①	18	BRASS SMOOTH BORE JETS
②	1	UPPER HALF OF POD JET
③	1	BOTTOM HALF OF POD JET
④	1	1-1/2" FPT INLET

FLOW CHART:

HEIGHT	5'	10'	15'	20'
G.P.M.	35	49	58	65
T.D.H.	8'	15'	22'	28'



Typical Installation
NOT TO SCALE



JP4-2 Brass Pod Jet

5500 N.W.22 AVE. FT. LAUDERDALE, FL 33309

PHONE: 1-800-777-4255 * 1-954-484-8530