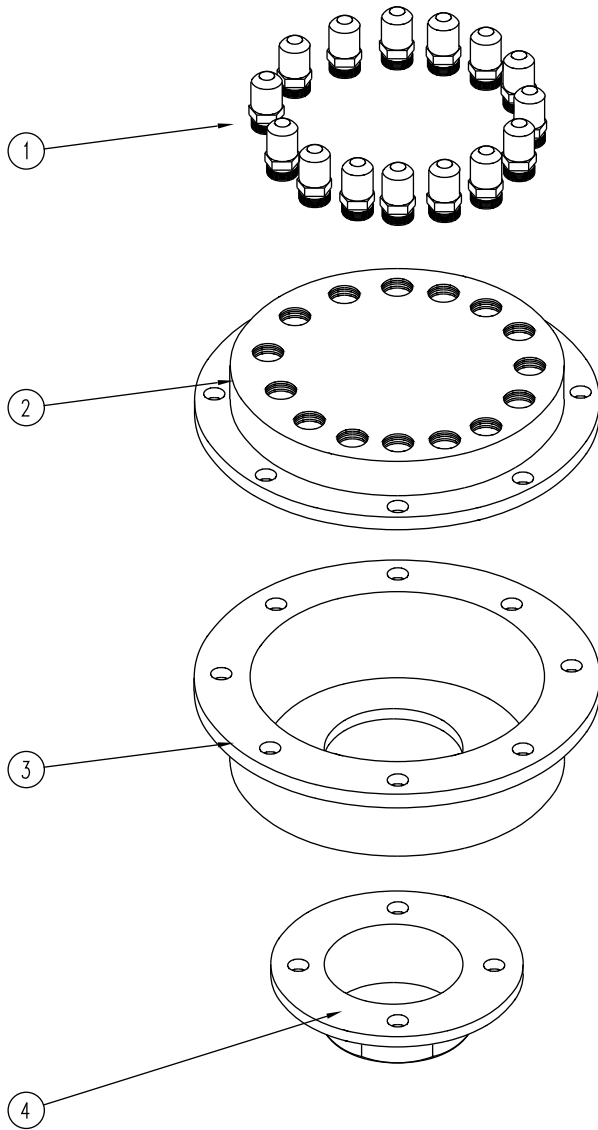


SPECIFICATIONS:

JP8-1 BRASS POD JET - features a 8" diameter pod, 3" FPT inlet with fifteen 1/4" brass smooth bore jets. Pod is manufactured in two brass halves that screw apart for cleaning.

PARTS LIST:

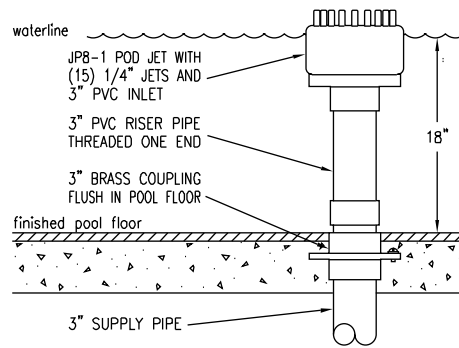
ITEM	QTY.	DESCRIPTION
①	15	BRASS SMOOTH BORE JETS
②	1	UPPER HALF OF POD JET
③	1	BOTTOM HALF OF POD JET
④	1	3" PVC FLANGED INLET



Exploded View
NOT TO SCALE

FLOW CHART:

HEIGHT	10'	15'	20'
G.P.M.	70	88	98
T.D.H.	15'	22'	28'



Installation Detail
NOT TO SCALE



JP8-1 Brass Pod Jet

5500 N.W.22 AVE. FT. LAUDERDALE, FL 33309

PHONE: 1-800-777-4255 * 1-954-484-8530