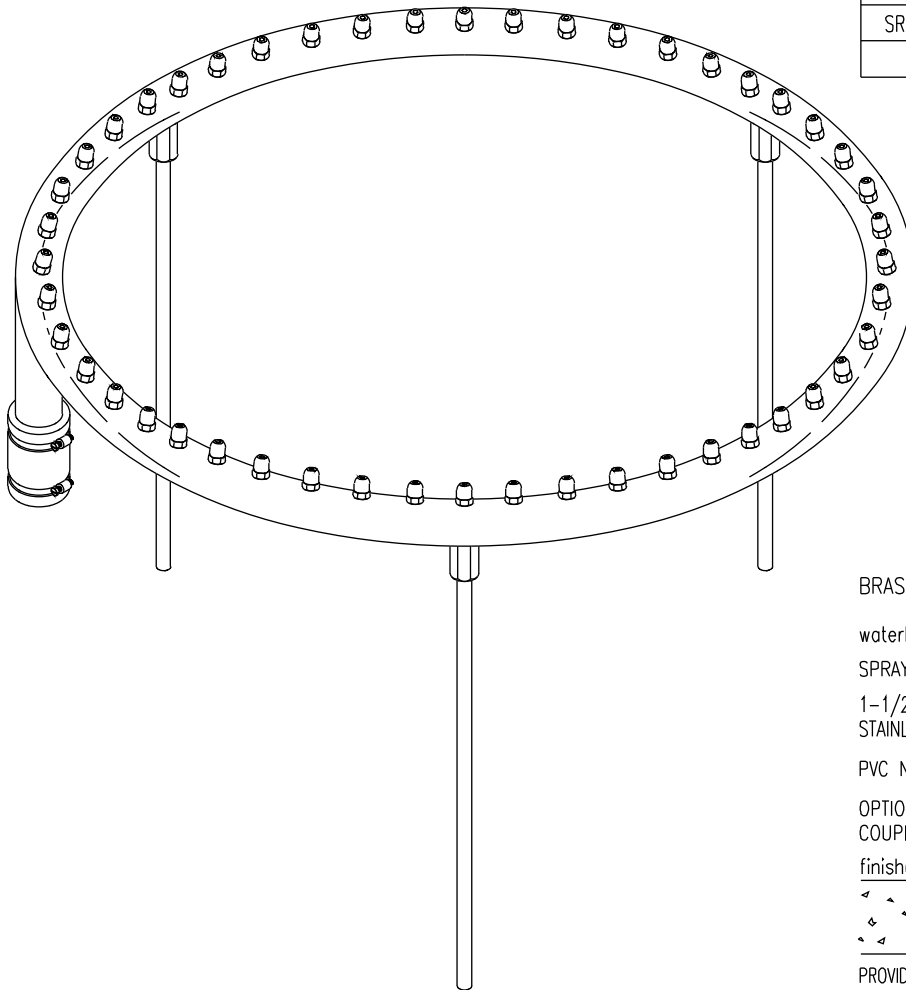


SPECIFICATIONS:

SR125 SERIES CUSTOM SPRAY RINGS - fabricated from 1-1/4" red brass pipe rolled to size. Rings are precision drilled and tapped to receive the desired number of fixed 1/8" brass smooth bore jets. Rings come complete with copper inlet(s) with flexible hose and stainless steel hose clamps for hookup to PVC pipe. Also comes with adjustable brass support legs.

NOTE : Depicted below is a 24" diameter "inside drop" spray ring with twenty-four 1/8" brass smooth bore jets, three support legs, and one inlet. Other spray rings may vary the number and/or style of jets, and/or the number of inlets and support legs as per design requirements.

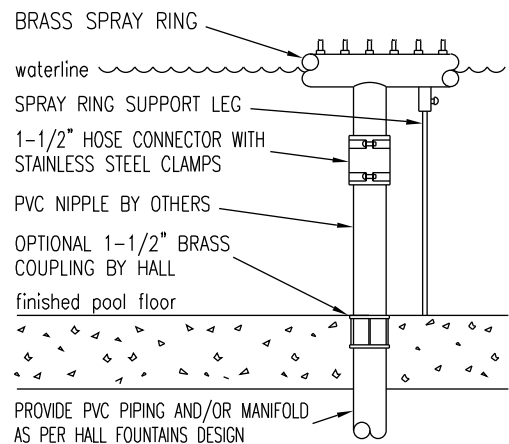


Typical Isometric View

NOT TO SCALE

MODEL LIST:

| MODEL | RING DIA. | # OF JETS | # OF INLETS |
|----------|-----------|-----------|-------------|
| SR125-18 | 18" | 28 | 1 |
| SR125-24 | 24" | 38 | 1 |
| SR125-30 | 30" | 48 | 2 |
| SR125-36 | 36" | 56 | 2 |
| SR125-42 | 42" | 66 | 2 |
| SR125-48 | 48" | 76 | 4 |
| SR125-60 | 60" | 90 | 4 |
| SR125-72 | 72" | 76 | 4 |
| SR125-84 | 84" | 88 | 4 |
| SR125-96 | 96" | 100 | 4 |
| | | | |



Typical Installation Detail

NOT TO SCALE



SR125 Series Custom Red Brass Spray Ring

5500 N.W.22 AVE. FT. LAUDERDALE, FL 33309

PHONE: 1-800-777-4255 * 1-954-484-8530