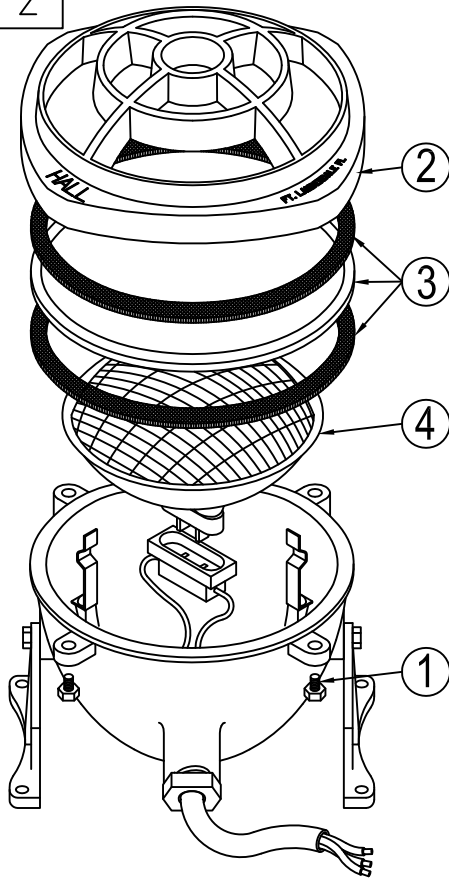


STEP 1

Preparing fixture for LED conversion

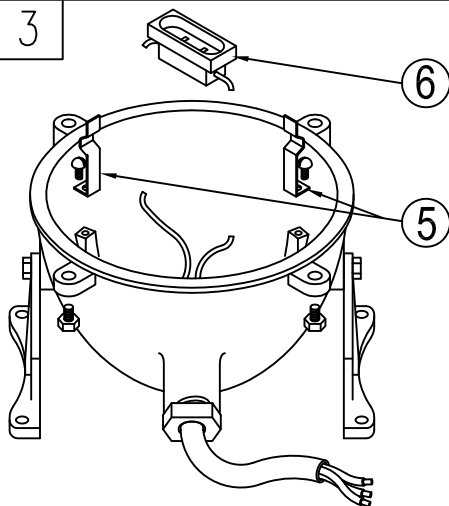
Before any work is done on light(s) make sure all power is off and power is locked out. Conversion should be done by a qualified person with knowledge of electrical work and standards.

STEP 2



- ① Remove 4 - 1/4" X5/8" Stainless steel bolts with 7/16" wrench (save for reuse).
- ② Remove cast bronze light cover with rock guard. You may have to use slight pressure between light body and cover with straight screwdriver to brake seal. (save for reuse)
- ③ Remove lens and gaskets. Gaskets can be discarded (a new gasket set is supplied with the conversion kit). Check lens for damage and make sure gasket surfaces are clean. (lens will be reused)
- ④ Remove bulb by pushing back on light clips and allow bulb to snap up and out of fixture and unplug bulb from socket. Bulb will NOT be used in conversion and can be saved or discarded.

STEP 3



- ⑤ Remove three spring clips using straight screwdriver. Clips and screws will not be used in conversion and can be saved or discarded.
- ⑥ Cut leads near to socket, leaving leads as long as possible in fixture. These leads will tie into power supply when LED unit is installed.



SL500GT CONVERSION TO LED

Disassembly of Fixture for LED

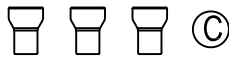
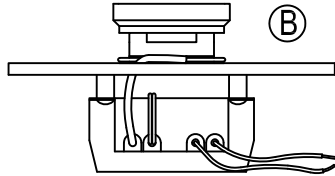
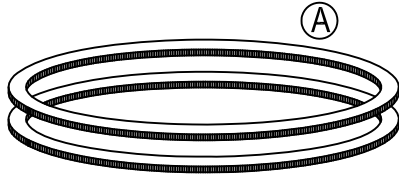
5500 N.W.22 AVE. FT. LAUDERDALE, FL 33309

PHONE: 1-800-777-4255 * 1-954-484-8530

Fixture LED conversion Step 1

Before any work is done on light(s) make sure all power is off and power is locked out. Conversion should be done by a qualified person with knowledge of electrical work and standards.

Included in Kit



Not to Scale

(A) GG8 Gasket set, one on each side of lens. assemble dry. (use no sealer)

(B) LED assembly with Module & Driver. Mounted on Heat sink Plate with Reflector.

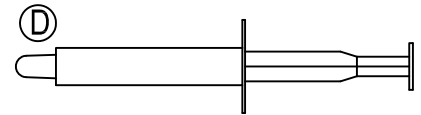
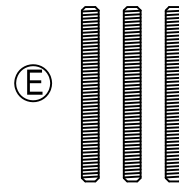
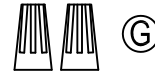
(C) (3) 3/4" Dia. X 1" long brass Heat sink stand offs used between LED assembly and and light body.

(D) Heat Transfer Compound.

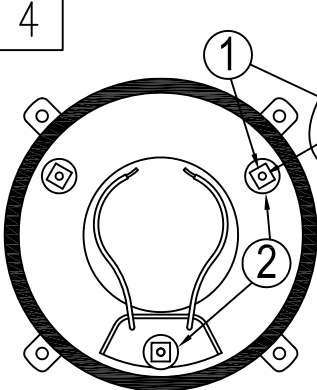
(E) (3) 10-24 by 2" long Stainless Steel Studs

(G) (2) Hi-temp wire nuts to connect light leds to LED assembly leads.

(H) (3) 10-24 Stainless Steel Hex Huts

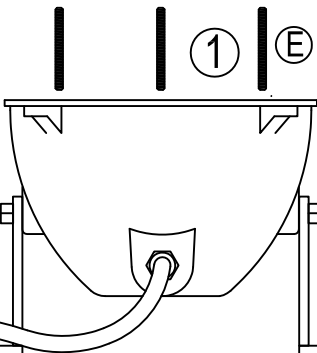


STEP 4



(1) After all unneeded parts have been removed from light and fixture is free of any dirt and debris, installation can begin. Install the 3 Stainless Studs into the 3 Hubs that the light clips were attached to and snug by hand, engage 4 to 5 turns. Put a small bead of Heat Transfer Compound (Item D) around each of the three stainless studs.

(2) Install the three standoffs (Item C) by sliding them down each of the Stainless Steel Studs and gently setting them to the bosses. Compound can be messy you should have some paper towels ready. Hold standoffs on the sides near the top to avoid compound. The Heat Transfer Compound is essential to the longevity of the Module.



STAINLESS STUDS



SL500GT CONVERSION TO LED

Reassembly of Fixture with LED

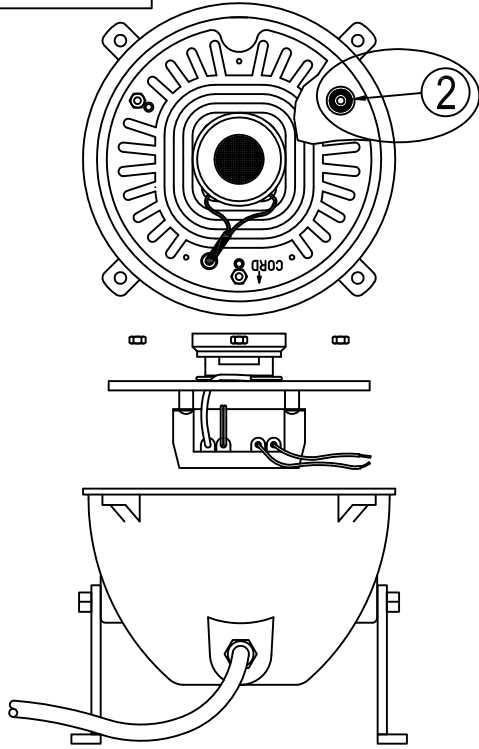
5500 N.W.22 AVE. FT. LAUDERDALE, FL 33309

PHONE: 1-800-777-4255 * 1-954-484-8530

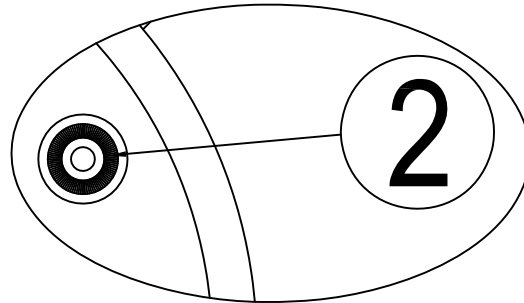
Fixture LED conversion Step 2

Before any work is done on light(s) make sure all power is off and power is locked out.
Conversion should be done by a qualified person with knowledge of electrical work and standards.

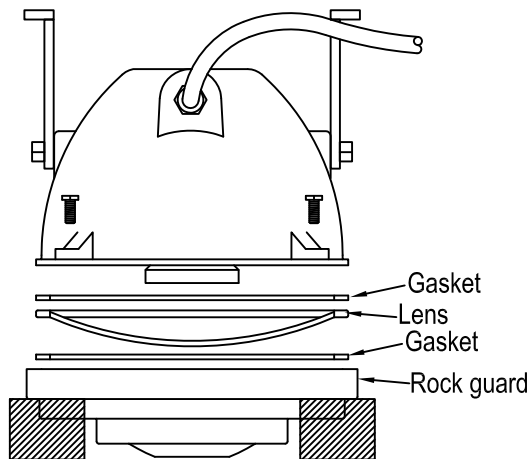
STEP 5



- 1 Strip the wires in the fixture approximately 3/8" (see STEP #3). Set the LED unit on edge with the wires up against the fixture. Twist the two pairs of wires together and secure with wire nuts (Item G). Make sure connections are tight.
- 2 Put a small donut shaped bead of Heat Transfer Compound (Item D) on top of the three brass heat sink stand offs see drawing. Remember compound can be messy, so have paper towel ready.
- 3 Grab the LED Assembly by the reflector cone. Guide the wires into the lower portion of the fixture making sure the wires will not be pinched or kinked. There is an arrow and there word CORD engraved in the heat sink plate. The arrow should point toward the cord that exits the fixture. Align the holes in the plate with the stainless studs and slide so parts are seated. Visually make sure wires are clear and stand offs and plate are together. Install three hex nuts (item H) and tighten with wrench.



STEP 6



- 1 It is easier to assemble the fixture up side down if possible. Place blocks under the corners of the rock guard. Place one of the new gaskets in the rock guard, then the lens (that you saved) and next the other gasket. Be sure items are centered and clean. DO NOT use any type of sealer on the gaskets, as they are to be assembled dry. Use only Hall gaskets as the lights have a machined surface and clearance so that the rock guard retainer bolts are tightened down completely to get the right compression on the gasket. Install the 1/4 X 5/8 stainless steel bolts that were saved then light was disassembled and bring them up by hand. Using a 7/16" wrench tighten the bolts evenly a little at a time going around the fixture until the rock guard and ears on the body are touching each other.

STAINLESS STUDS



SL500GT CONVERSION TO LED

Reassembly of Fixture with LED

5500 N.W.22 AVE. FT. LAUDERDALE, FL 33309

PHONE: 1-800-777-4255 * 1-954-484-8530