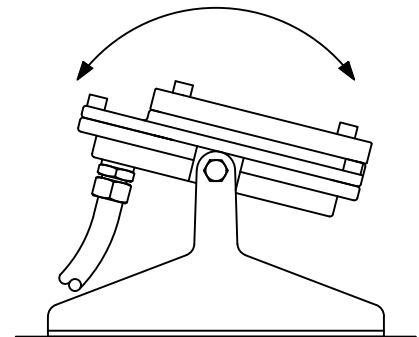


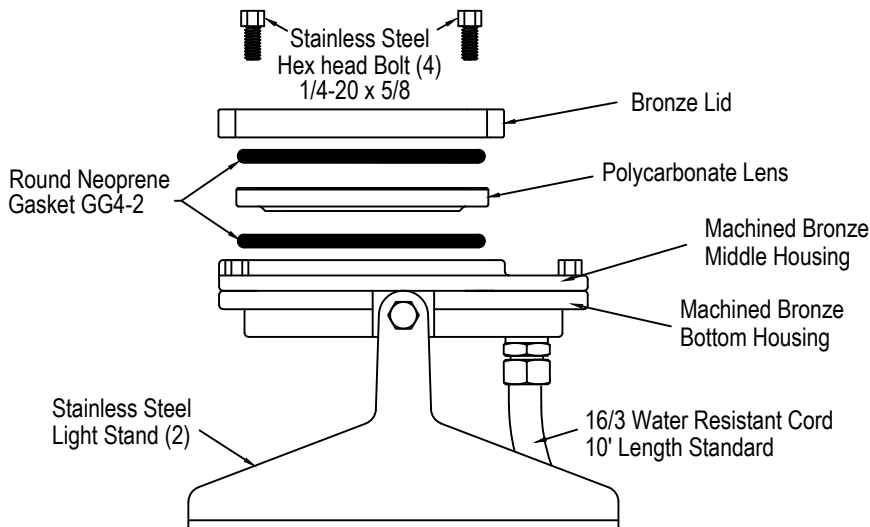
SPECIFICATIONS : SL-40LED, U.L. LISTED, MACHINED BRONZE, FREESTANDING, SUBMERSIBLE LIGHTING FIXTURE WITH 120V LED DRIVER ON BOARD LED ARRAY NOT TO EXCEED 40 WATTS. SUPPLIED STANDARD WITH 10' 16/3 CORD AND CLEAR LENS. FIXTURE HAS MACHINED CASKET SURFACES AND CLEARANCE FOR FOR THE LENS TO ASSURE EVEN GASKET COMPRESSION. FIXTURE IS AIR TESTED AND ASSEMBLED READY FOR INSTALLATION. SHIPPING WEIGHT IS APPROX. 11LBS

NOTE: Submersible lights must be installed by a qualified electrician in accordance with Article 680 of the National Electrical Code.

NOTE: 16/3 water-resistant cord, brass cord seal, LED Driver LED Module and Potted wiring must be factory installed (consult factory for rebuild information).

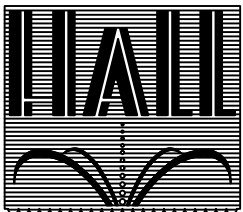


Adjustable Swivel Stand



LISTED

File E48660



FOUNTAINS, INC.

SL-40LED SUBMERSIBLE LIGHT

40 WATTS OR LESS LED 120 VOLT LIGHT

5500 N.W.22 AVE. FT. LAUDERDALE, FL 33309

PHONE: 1-800-777-4255 * 1-954-484-8530