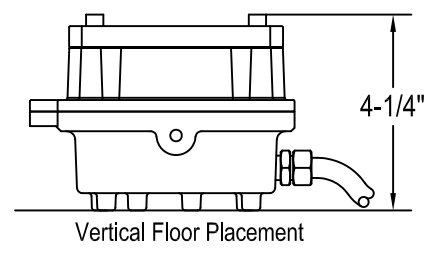
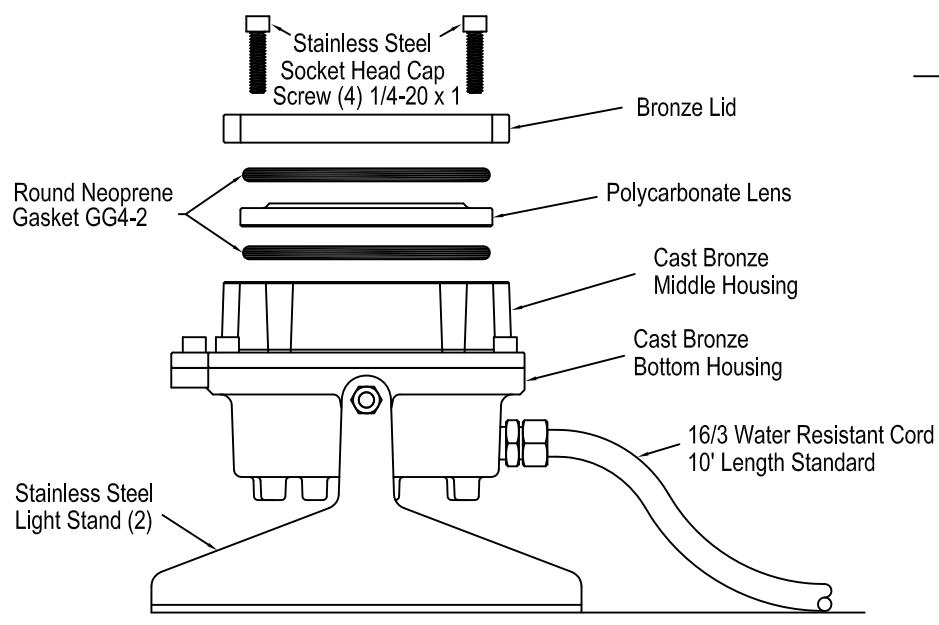
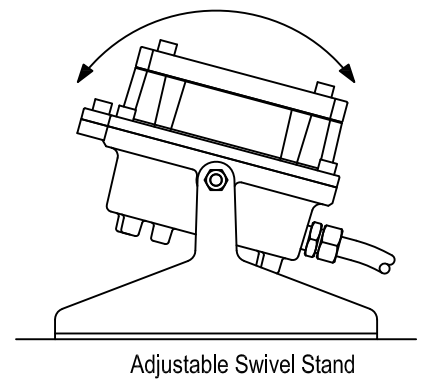


SPECIFICATIONS : SL-65LED, U.L. LISTED, CAST BRONZE, FREESTANDING, SUBMERSIBLE LIGHTING FIXTURE WITH CLASS 2 LED DRIVER AND LED MODULE NOT TO EXCEED 65 WATTS. SUPPLIED STANDARD WITH 10' 16/3 CORD AND CLEAR LENS. FIXTURE HAS MACHINED CASKET SURFACES AND CLEARANCE FOR FOR THE LENS TO ASSURE EVEN GASKET COMPRESSION. FIXTURE IS AIR TESTED AND ASSEMBLED READY FOR INSTALLATION. SHIPPING WEIGHT IS APPROX. 19LBS

NOTE: Submersible lights must be installed by a qualified electrician in accordance with Article 680 of the National Electrical Code.
 NOTE: 16/3 water-resistant cord, brass cord seal, LED Driver LED Module and Potted wiring must be factory installed (consult factory for rebuild information).



SL-65LED SUBMERSIBLE LIGHT

65 WATTS OR LESS LED 120 VOLT LIGHT

5500 N.W.22 AVE. FT. LAUDERDALE, FL 33309

PHONE: 1-800-777-4255 * 1-954-484-8530