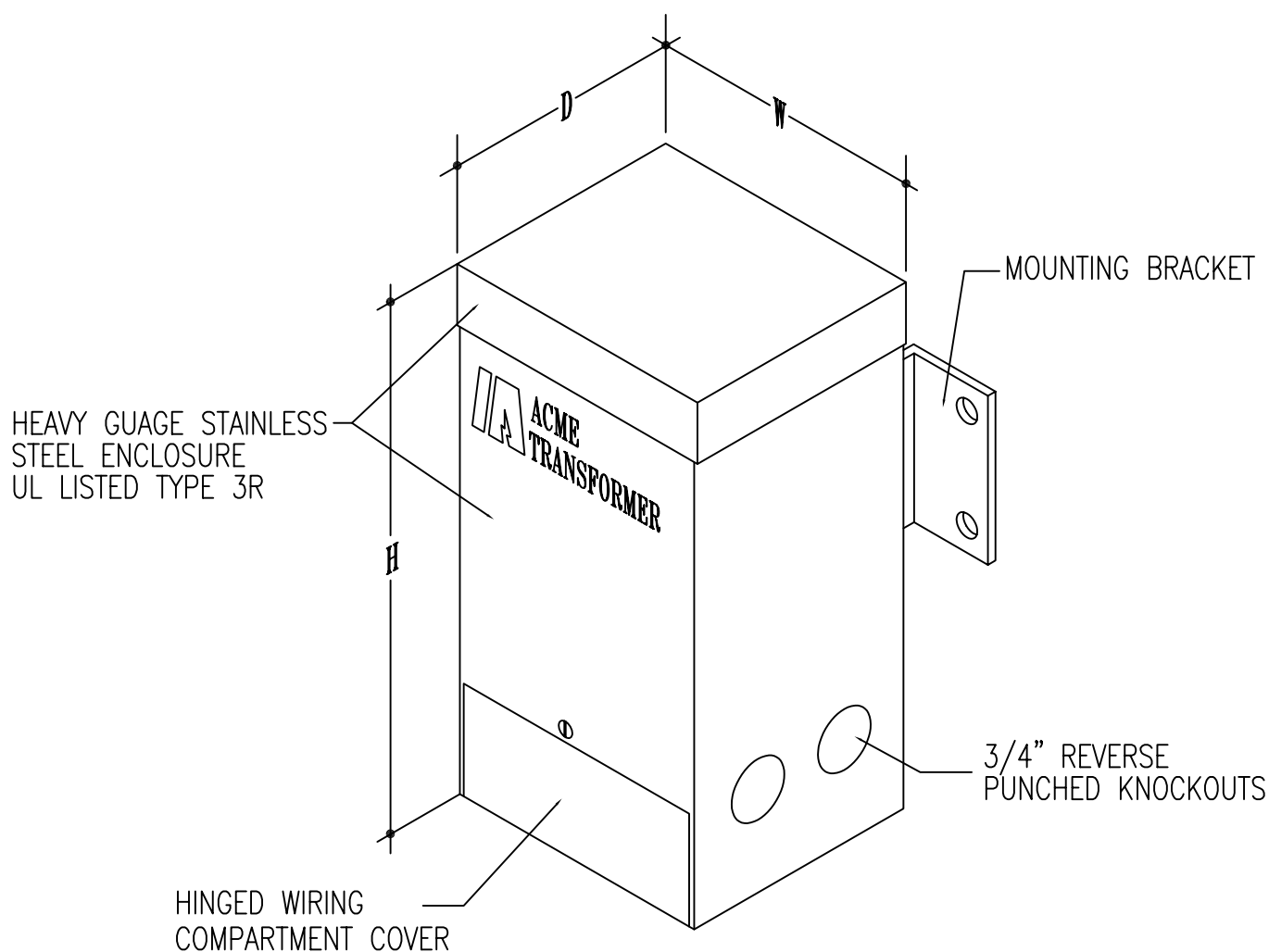


FEATURES:

- * 100, 300 AND 500 VA MODELS
- * COMPACT SIZE
- * U.L LISTED
- * WALL MOUNTING BRACKET
- * EASY-ACCESS WIRING COMPARTMENT
- * THREE SECONDARY LEADS
- * UL TYPE 3R ENCLOSURES
- * SINGLE PHASE, 60Hz. PRIMARY
- * LEFT HAND ACCESS
- * GROUNDING STUD
- * PRIMARY AUTO-THERMAL RESET

APPROXIMATE DIMENSIONS

SIZE	WIDTH	DEPTH	HEIGHT
100W	4.83"	3.91"	8.4"
300W	4.58"	4.02"	8.4"
500W	6.41"	4.25"	10.0"



LVT 100W, 300W & 500W

Low Voltage Transformers

5500 N.W.22 AVE. FT. LAUDERDALE, FL 33309

PHONE: 1-800-777-4255 * 1-954-484-8530