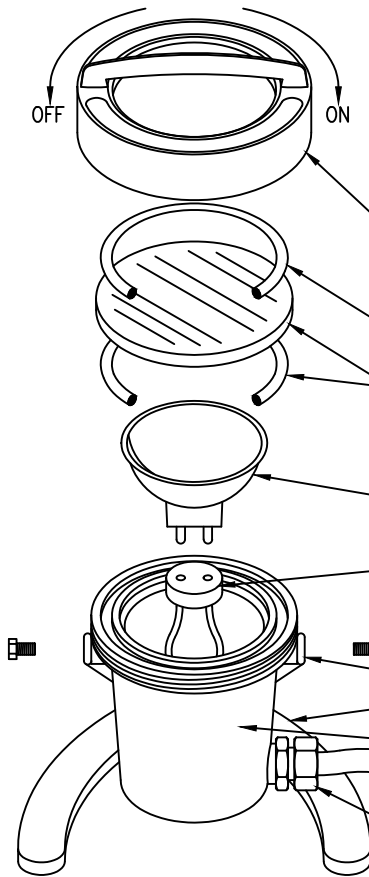


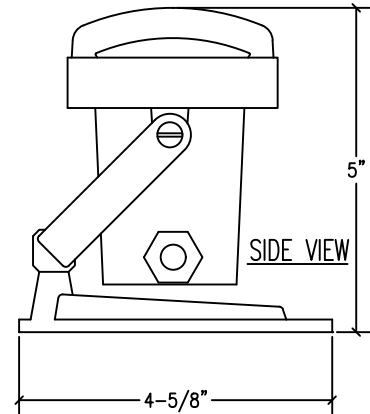
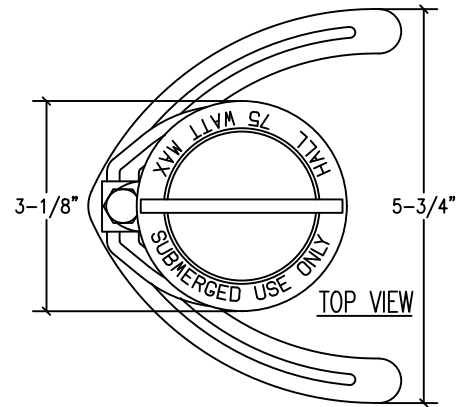
For submerged use only. UL Listed for use in fountains and ponds. NOT intended for use in swimming or wading pools. Power for light must be by a transformer that complies with section 680.23 (A)(2) of the National Electrical Code.

SL75LVLED BRONZE UNDERWATER LIGHT – features cast bronze housing and swivel base, cast bronze rock guard, stainless steel fasteners, phosphor-bronze cord seal, tempered lens with o-ring gasket, porcelain socket with epoxied connectors and ten foot long 16/3 submersible power cord. Each fixture is lamped with a 8.5w, 12v MR16 LED 4000K bulb.



WARNING!
ELECTRICAL SHOCK HAZARD
HALL FOUNTAINS, INC. STRIVES TO MANUFACTURE FOUNTAIN EQUIPMENT OF THE HIGHEST QUALITY POSSIBLE, BUT IS STILL CONCERNED WITH THE FACT THAT WATER AND ELECTRICITY CAN CONSTITUTE A POTENTIAL ELECTRICAL SHOCK HAZARD.
FOUNTAIN ELECTRICAL EQUIPMENT MUST BE INSTALLED BY QUALIFIED KNOWLEDGEABLE PEOPLE WITH THE UTMOST OF CARE AND IN STRICT ACCORDANCE WITH ARTICLE 680 OF THE NATIONAL ELECTRICAL CODE AND ANY OVERRIDING LOCAL CODES THAT MAY APPLY.

- SL75-2 cast bronze light lid with rock guard
- GG3 neoprene o-ring set (typical of 2 per light)
- GL3 clear tempered lens
- MR16 8.5 watt, 12V 4000K
- MR16 socket
- 10-24 x 3/8" s.s. hex head machine screw (2 per light)
- SL75-3 cast bronze yoke and base
- SL75-1 cast bronze housing
- 16/3 Water Resistant Cord 10' length standard.
- Brass cord seal



SL75LV-LED

8.5 watt 12volt 4000K Thermally Protected Submersible Light

5500 N.W.22 AVE. FT. LAUDERDALE, FL 33309

PHONE: 1-800-777-4255 * 1-954-484-8530