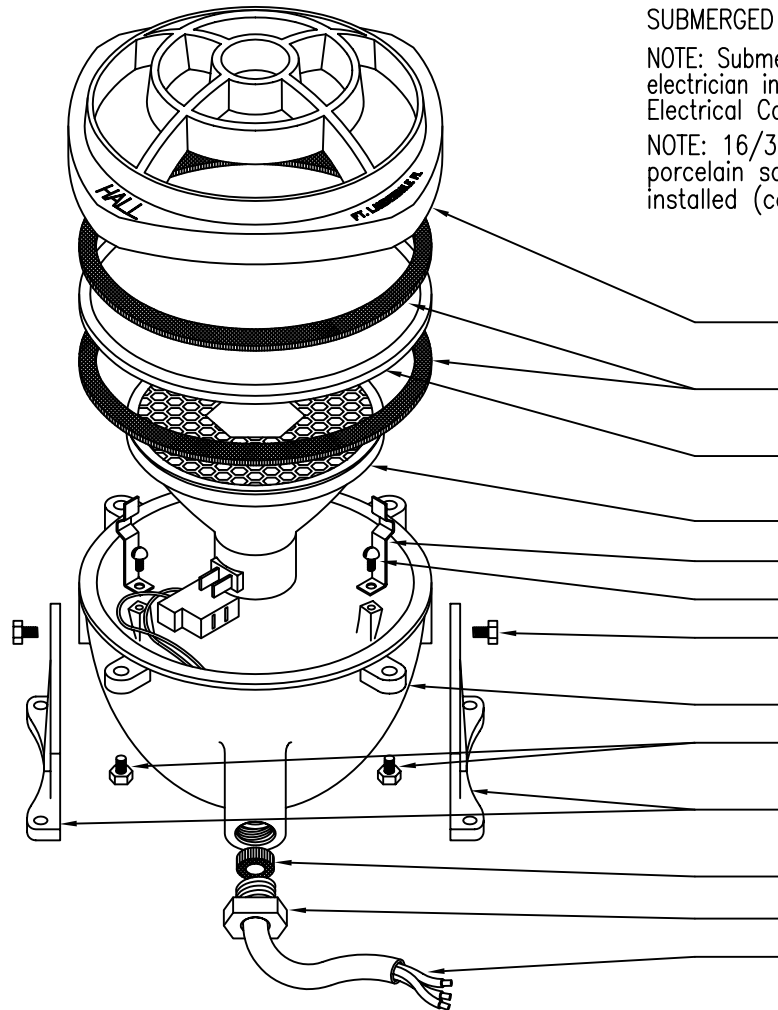


SPECIFICATIONS : SL150GT, U.L. LISTED, CAST BRONZE, FREE-STANDING, SUBMERSIBLE LIGHTING FIXTURE WITH ROCK GUARD AND SWIVEL BASE. THERMALLY PROTECTED, LAMPED 150 WATT, 120 VOLT (150PAR3/FL) WITH 10' TYPE 16/3 ST CORD AND CLEAR LENS (STANDARD; AQUA, AMBER OR RED OPTIONAL). FIXTURE HAS MACHINED GASKET SURFACE AND CLEARANCE FOR THE LENS TO ASSURE EVEN GASKET COMPRESSION. FIXTURE IS AIR TESTED, LAMPED, AND ASSEMBLED READY FOR INSTALLATION. SHIPPING WEIGHT IS APPROX. 12 LBS.



SUBMERGED USE ONLY, 9 INCH MINIMUM WATER DEPTH
 NOTE: Submersible lights must be installed by a qualified electrician in accordance with Article 680 of the National Electrical Code.
 NOTE: 16/3 ST water-resistant cord, brass cord seal, porcelain socket and thermal switch must be factory installed (consult factory for rebuild information).

- SL150-2 cast bronze light cover with rock guard
- GG6 neoprene gasket set (typical of 2 per light)
- GL6 clear tempered lens (available as GL6C in amber, aqua, or red)
- 150PAR3FL, 150 watt, 120 volt lamp
- Spring clips (3 per light)
- #10-24 x 1/4" s.s. screw (3 per light)
- 1/4-20 x 1/2" s.s. hex head machine bolt (2 per light)
- SL150-1 cast bronze housing
- 1/4-20 x 5/8" s.s. hex head machine bolt (4 per light)
- SL150-3 cast bronze light stand (2 per light)
- Neoprene grommet
- Brass cord seal
- 16/3 type St water-resistant fixture cord, 10' length standard.



SL150GT

150w., 120v., Thermally Protected Submersible Light

5500 N.W.22 AVE. FT. LAUDERDALE, FL 33309

PHONE: 1-800-777-4255 * 1-305-484-8530