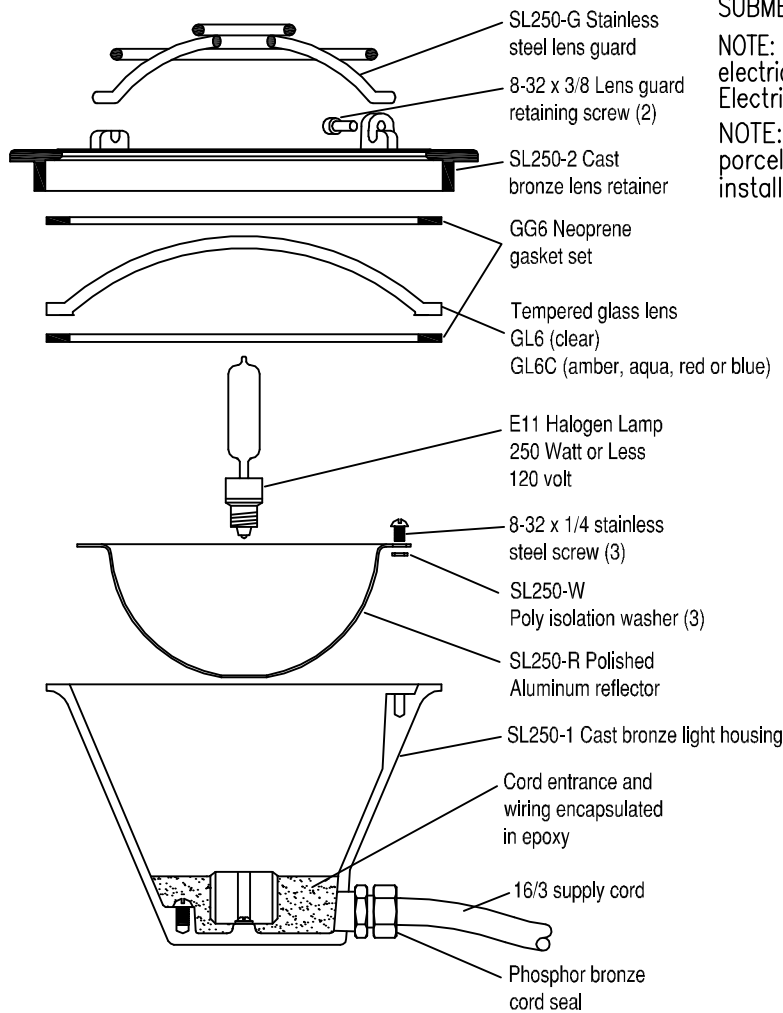


SPECIFICATIONS : SL250GT, U.L. LISTED, CAST BRONZE, FREE-STANDING, SUBMERSIBLE LIGHTING FIXTURE WITH ROCK GUARD AND SWIVEL BASE. THERMALLY PROTECTED, LAMPED 250 WATT MAXIMUM, 120 VOLT WITH 10' 16/3 CORD AND CLEAR LENS (STANDARD; AQUA, AMBER, BLUE OR RED OPTIONAL). FIXTURE HAS MACHINED GASKET SURFACE AND CLEARANCE FOR THE LENS TO ASSURE EVEN GASKET COMPRESSION. FIXTURE IS AIR TESTED, LAMPED, AND ASSEMBLED READY FOR INSTALLATION. SHIPPING WEIGHT IS APPROX. 11 LBS.



SUBMERGED USE ONLY, 10 INCH MINIMUM WATER DEPTH
 NOTE: Submersible lights must be installed by a qualified electrician in accordance with Article 680 of the National Electrical Code.

NOTE: 16/3 water-resistant cord, brass cord seal, porcelain socket and thermal switch must be factory installed (consult factory for rebuild information).



SL250GT

250W Max.. 120v, Thermally Protected Submersible Light

5500 N.W.22 AVE. FT. LAUDERDALE, FL 33309

1-800-777-4255 * www.hallfountains.com