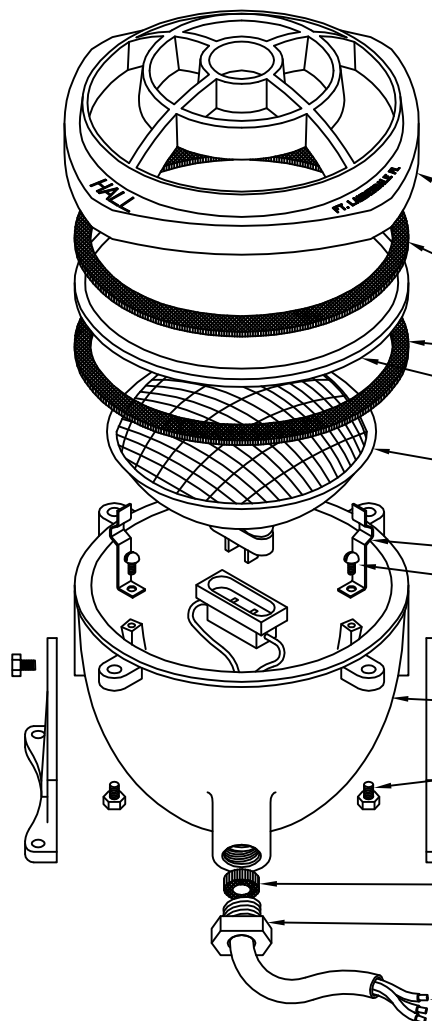


SPECIFICATIONS : SL500GT, U.L. LISTED, CAST BRONZE, FREE-STANDING, SUBMERSIBLE LIGHTING FIXTURE WITH ROCK GUARD AND SWIVEL BASE. THERMALLY PROTECTED, LAMPED 300 OR 500 WATT, 120 VOLT WITH 10' 16/3 CORD AND CLEAR LENS (STANDARD; AQUA, AMBER OR RED OPTIONAL). FIXTURE HAS MACHINED GASKET SURFACE AND CLEARANCE FOR THE LENS TO ASSURE EVEN GASKET COMPRESSION. FIXTURE IS AIR TESTED, LAMPED, AND ASSEMBLED READY FOR INSTALLATION. SHIPPING WEIGHT IS APPROX. 19 LBS.



SUBMERGED USE ONLY, 11 INCH MINIMUM WATER DEPTH

NOTE: Submersible lights must be installed by a qualified electrician in accordance with Article 680 of the National Electrical Code.

NOTE: 16/3 water-resistant cord, brass cord seal, porcelain socket and thermal switch must be factory installed (consult factory for rebuild information).

SL500-2 cast bronze light cover with rock guard

GG8 neoprene gasket set (typical of 2 per light)

GL8 clear tempered lens (available as GL8C in amber, aqua, or red)

300PAR56/MFL, 300 watt, 120 volt lamp
Q500PAR56FL, 500 watt, 120 volt lamp

Spring clips (3 per light)

#10-24 x 1/4" s.s. screw (3 per light)

1/4-20 x 1/2" s.s. hex head machine bolt (2 per light)

SL500-1 cast bronze housing

1/4-20 x 5/8" s.s. hex head machine bolt (4 per light)

SL500-3 cast bronze light stand (2 per light)

Neoprene grommet

Brass cord seal

16/3 Water Resistant Cord
10' length standard.



SL500GT

300 or 500w., 120v., Thermally Protected Submersible Light

5500 N.W.22 AVE. FT. LAUDERDALE, FL 33309

PHONE: 1-800-777-4255 * 1-954-484-8530