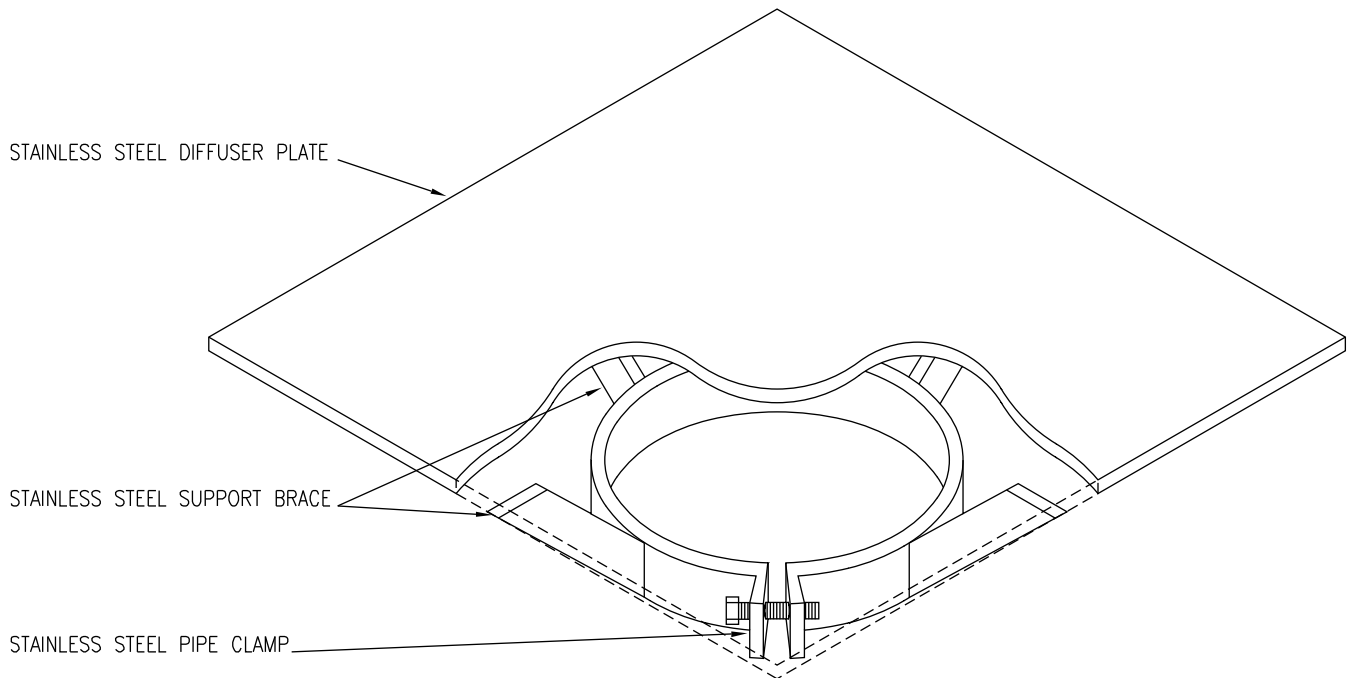


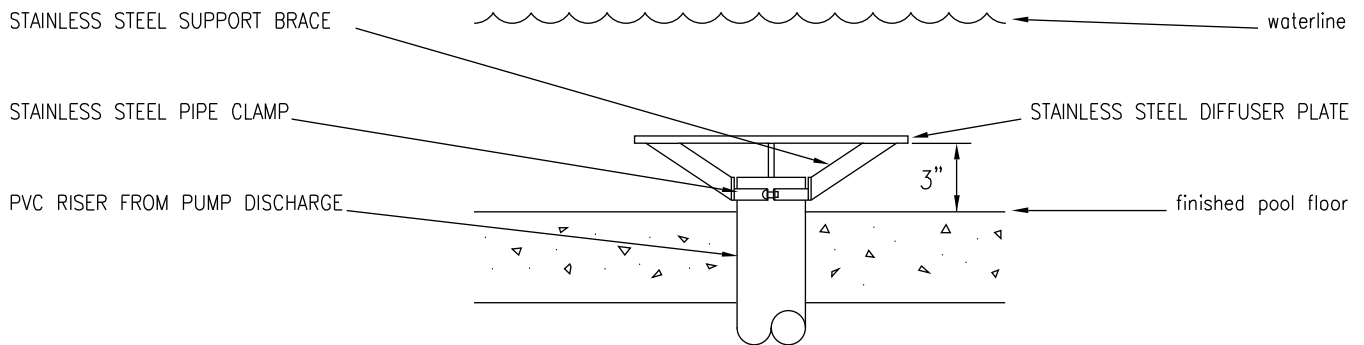
SPECIFICATIONS:

STAINLESS STEEL DISCHARGE DIFFUSER - fabricated from stainless steel sheet, with a stainless steel pipe clamp and stainless steel support braces spot welded to sheet and ready to mount on PVC riser. Custom designed in various dimensions and pipe clamp sizes for differing system requirements. Diffuser provides for an even distribution of water to reduce in-pool turbulence.



Cutaway Isometric View

NOT TO SCALE



Typical Installation Detail

NOT TO SCALE



Stainless Steel Diffuser

5500 N.W.22 AVE. FT. LAUDERDALE, FL 33309

PHONE: 1-800-777-4255 * 1-954-484-8530