

SPECIFICATIONS:

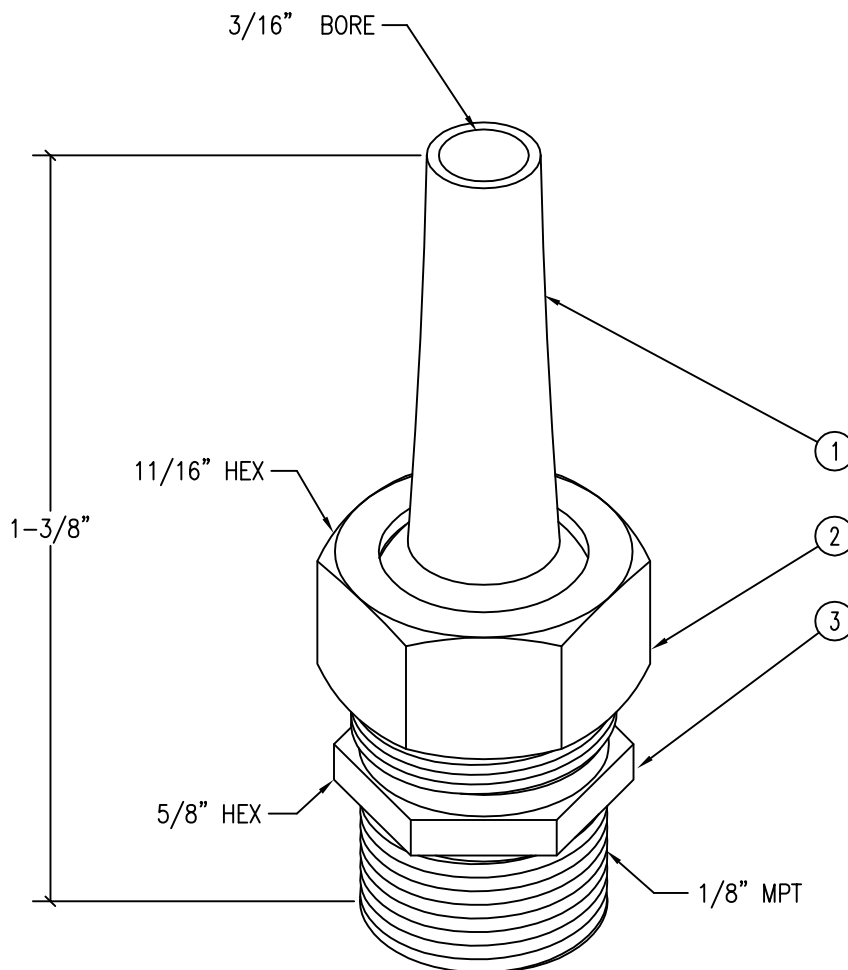
JS188, 3/16" BRASS SMOOTH BORE JET - All brass precision machined construction with 1/8" MPT inlet with swivel joint to make perfect vertical adjustment possible.

JET FLOW CHART:

HT.	2'	4'	6'	8'	10'	15'	20'	HT.
JS188	1.1	1.6	2.1	2.4	2.7	3.1	3.5	GPM
	4'	6'	9'	12'	15'	21'	28'	TDH

PARTS LIST:

ITEM	QTY.	DESCRIPTION
①	1	SMOOTH BORE JET BRASS
②	1	SWIVEL COLLAR BRASS
③	1	SWIVEL BASE/ADAPTER BRASS



JS188

3/16" Adjustable Smooth Bore Jet

5500 N.W.22 AVE. FT. LAUDERDALE, FL 33309

PHONE: 1-800-777-4255 * 1-954-484-8530