

SPECIFICATIONS:

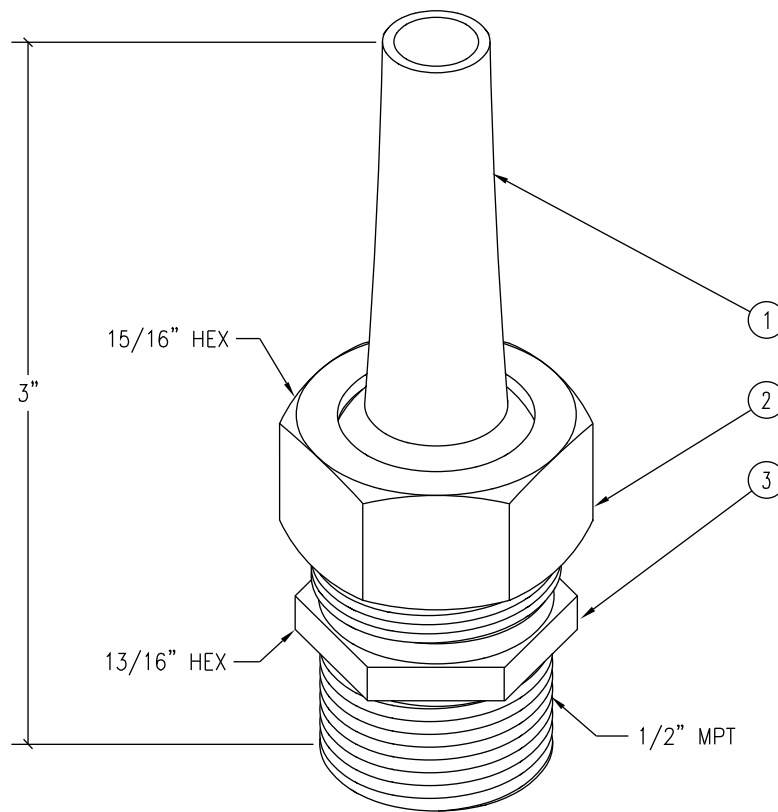
JS250 & JS312, 1/4" & 5/16" BRASS SMOOTH BORE JET - All brass precision machined construction with 1/2" MPT inlet with swivel joint to make perfect vertical adjustment possible.

JET FLOW CHART:

HT.	2'	4'	6'	8'	10'	15'	20'	30'	HT.
JS250	1.5	2.3	3.1	3.9	4.6	5.7	6.6	8.3	GPM
	4'	6'	9'	12'	15'	21'	28'	43'	TDH
JS312	3.0	4.3	5.0	6.0	7.0	10.0	12.0	16.0	GPM
	4'	6'	9'	12'	15'	21'	28'	43'	TDH

PARTS LIST:

ITEM	QTY.	DESCRIPTION
①	1	SMOOTH BORE JET BRASS
②	1	SWIVEL COLLAR BRASS
③	1	SWIVEL BASE/ADAPTER BRASS



JS250 & JS312

1/4" & 5/16" Adjustable Smooth Bore Jets

5500 N.W.22 AVE. FT. LAUDERDALE, FL 33309

PHONE: 1-800-777-4255 * 1-954-484-8530