

SPECIFICATIONS:

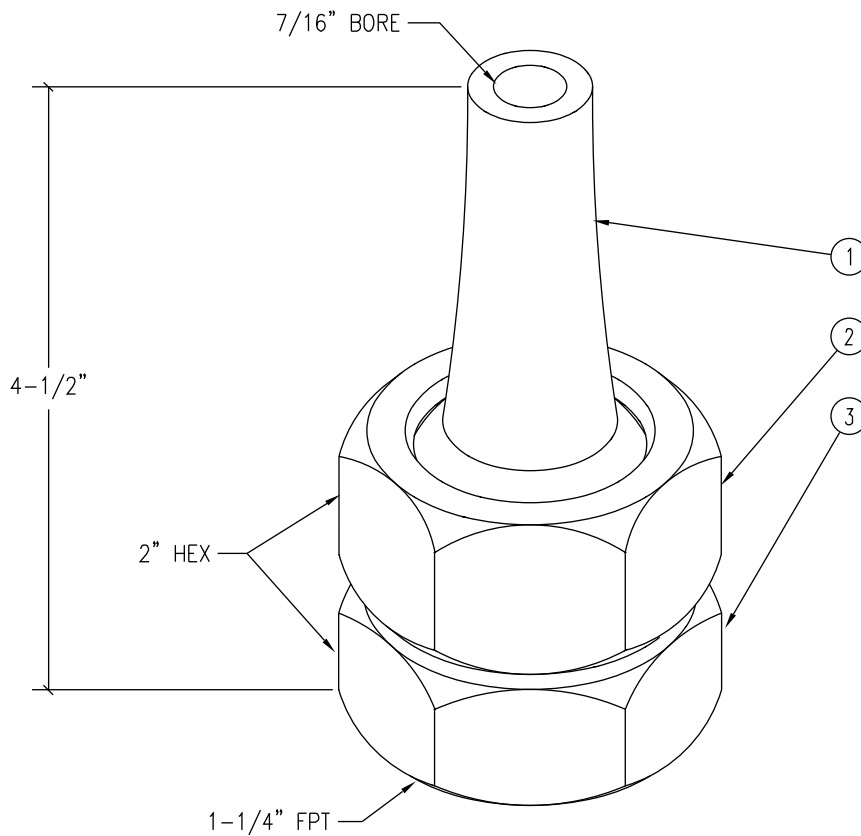
JS437 7/16" ANGLE ADJUSTABLE BRASS SMOOTH BORE JET - All brass precision machined construction with 1-1/4" FPT inlet with swivel joint to make perfect vertical adjustment possible.

JET FLOW CHART:

HT.	2'	4'	6'	8'	10'	15'	20'	30'	HT.
JS437	6.0	8.0	10.0	12.0	14.0	17.0	20.0	25.0	GPM
	4'	6'	9'	12'	15'	21'	28'	43'	TDH

PARTS LIST:

ITEM	QTY.	DESCRIPTION
①	1	SMOOTH BORE JET BRASS
②	1	SWIVEL COLLAR BRASS
③	1	SWIVEL BASE/ADAPTER BRASS



JS437

7/16" Adjustable Smooth Bore Jet

5500 N.W.22 AVE. FT. LAUDERDALE, FL 33309

PHONE: 1-800-777-4255 * 1-954-484-8530