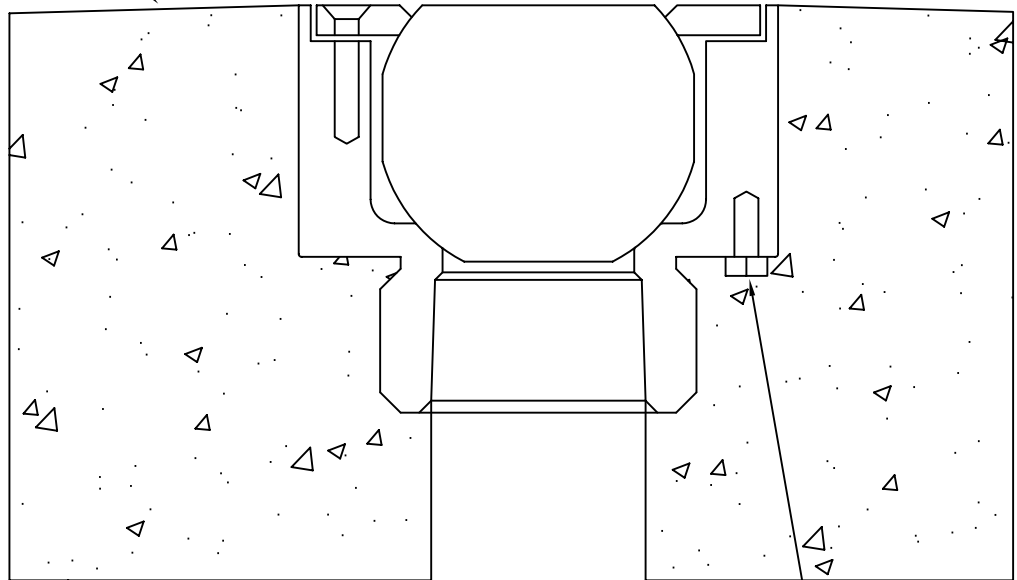


SLOP CONCRETE UP
SLIGHTLY TO JET
SO THAT WATER
WILL NOT PUDDLE



2" INLET

GROUND SCREW

Typical Installation Detail



FOUNTAINS, INC.

FJA-200

IN-FLOOR AERATING JET

5500 N.W.22 AVE. FT. LAUDERDALE, FL 33309

PHONE: 1-800-777-4255 * 1-954-484-8530