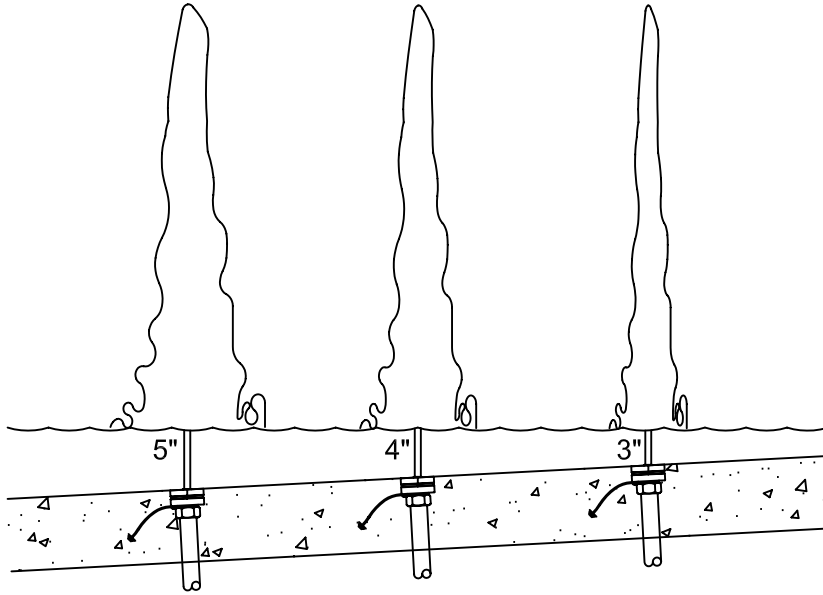


XFJ20 SERIES DECK JET (UNDERWATER)



The XFJ20 Series jets can also be installed in the pool floor, in a beach entry, shallow swim out or kiddy area. The jet is adjusted vertically and shoots up through the pool water creating an aerated stream. The jet requires more gallonage at higher head pressures when used under water than as a deck jet to achieve the same height. The deeper in the water, the higher the requirements. The shallower depths may cause the jet to bounce up and down due to the wave action of the surface.

XFJ20-312(P) UNDERWATER

HEIGHT OF JET IN FEET
1' 2' 3' 4'

5" WATER DEPTH	GPM	7.7	11.4	12.8	14.5	5'	6'
	TDH	16	35	44	57		
4" WATER DEPTH	GPM	6.4	9	11	12.5	13.6	14.5
	TDH	11	22	33	42	50	57
3" WATER DEPTH	GPM	5	7.2	9	10.2	11.4	11.7
	TDH	7	14	22	28	35	37

XFJ20-375(P) UNDERWATER

HEIGHT OF JET IN FEET
1' 2' 3' 4' 5' 6'

5" WATER DEPTH	GPM	9.2	13.6	16.4	18.6	20.6	21.5
	TDH	11	24	35	45	55	60
4" WATER DEPTH	GPM	7.9	11.5	14.3	16.2	16.9	18.6
	TDH	8	17	26.5	34	37	45
3" WATER DEPTH	GPM	6.8	9.2	12.1	13.6	14.8	16.4
	TDH	6	11	19	24	28.5	35

XFJ20-437(P) UNDERWATER

HEIGHT OF JET IN FEET
1' 2' 3' 4' 5' 6'

5" WATER DEPTH	GPM	12	17.1	20.7	24.2	26.4	28
	TDH	10	20.5	30	41	49	55
4" WATER DEPTH	GPM	10.3	14.6	18.1	20.7	23	24.5
	TDH	7.5	15	23	30	37	42
3" WATER DEPTH	GPM	8.5	12	15.6	17.7	19.6	21.4
	TDH	5	10	17	22	27	32

GPM = GALLONS PER MINUET
TDH = HEAD IN FEET AT THE JET

XFJ20-500(P) UNDERWATER

HEIGHT OF JET IN FEET
1' 2' 3' 4' 5' 6'

5" WATER DEPTH	GPM	15	20.7	25.7	29.2	32	35
	TDH	9	17.5	27	35	42	50
4" WATER DEPTH	GPM	12.1	18.2	22.4	25.4	28	30
	TDH	6	13.5	20.5	26.5	32	37
3" WATER DEPTH	GPM	10	15	19	22.4	24.2	26.4
	TDH	4	9	14.5	20.5	24	28.5

GPM = GALLONS PER MINUET
TDH = HEAD IN FEET AT THE JET

ALL HEAD PRESSURES ARE AT THE JET. SYSTEM LINE AND FITTING LOSSES MUST BE ADDED FOR PROPER OPERATION.



5500 NW 22nd Ave.

Fort Lauderdale, FL 33309

800-777-4255 Fax 954-484-2393

www.hallxstreams.com

Model Number
XFJ20-312(P)
XFJ20-375(P)
XFJ20-437(P)
XFJ20-500(P)