

SPECIFICATIONS:

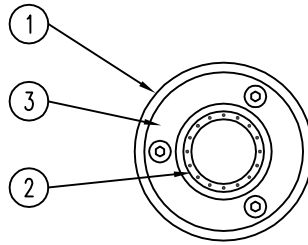
FJA100 FLUSH AERATING JET – features precision-machined construction from bronze bar stock with stainless steel fasteners. The FJA100 is a water-level independent aerating jet, designed to be installed flush with a finished surface. The FJA100 features an attractive & durable bronze face ring allowing the precise vertical alignment crucial to the function and aesthetics of the aerated water column. A ground lug with stainless steel fastener is provided for proper grounding.

PARTS LIST:

ITEM	QTY.	DESCRIPTION
①	1	JET BODY BRONZE
②	1	JET BALL BRONZE
③	1	FACE RING BRONZE

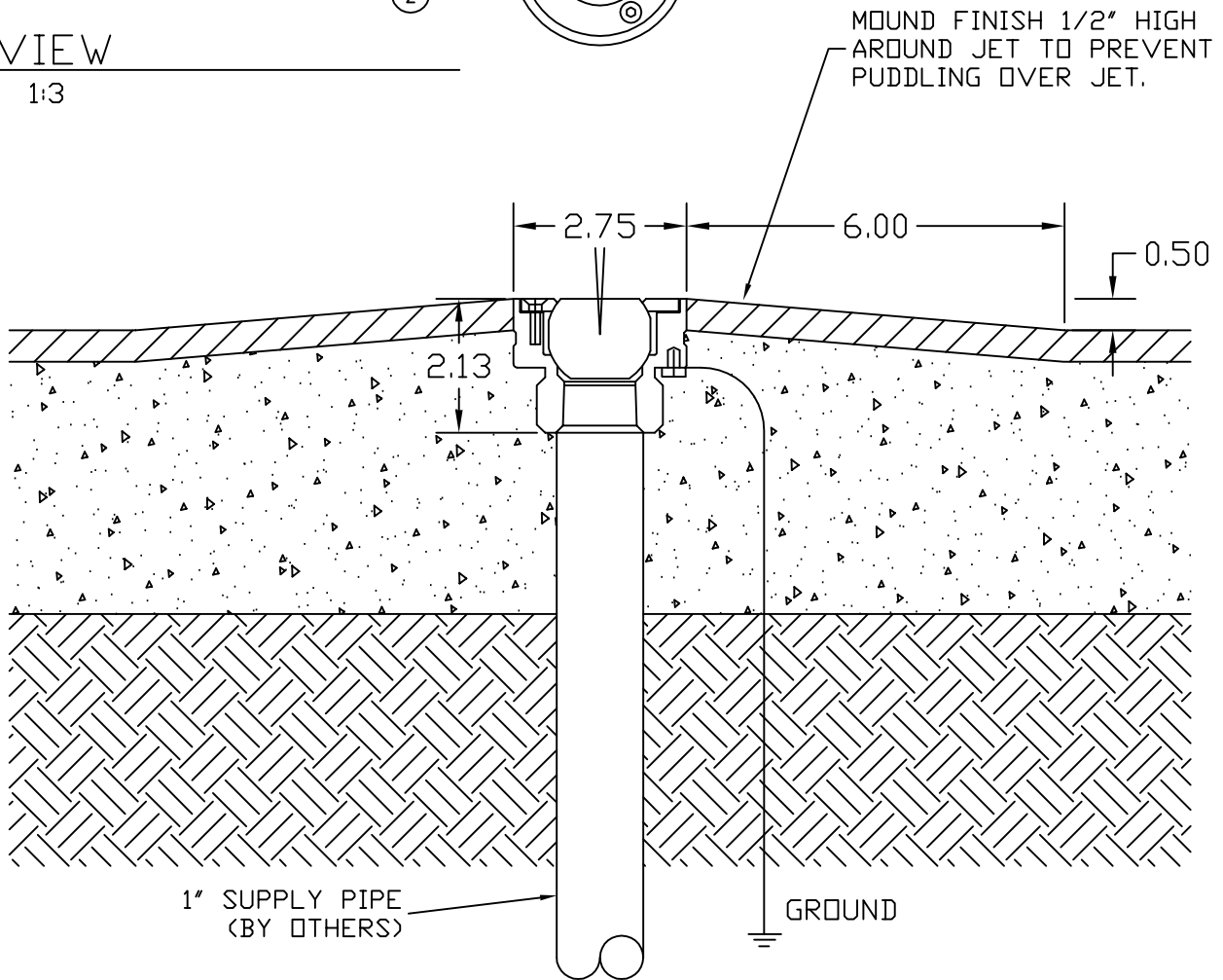
FJA100 Flow Chart

Height	6'	8'	10'	12'
GPM	12	15	18	20
Head	30'	43'	52'	60'



TOP VIEW

SCALE: 1:3



SECTION THROUGH JET

SCALE: 1:3



FJA100

Flush mounted 1" adjustable Aerating jet

5500 N.W.22 AVE. FT. LAUDERDALE, FL 33309

PHONE: 1-800-777-4255 * 1-954-484-8530