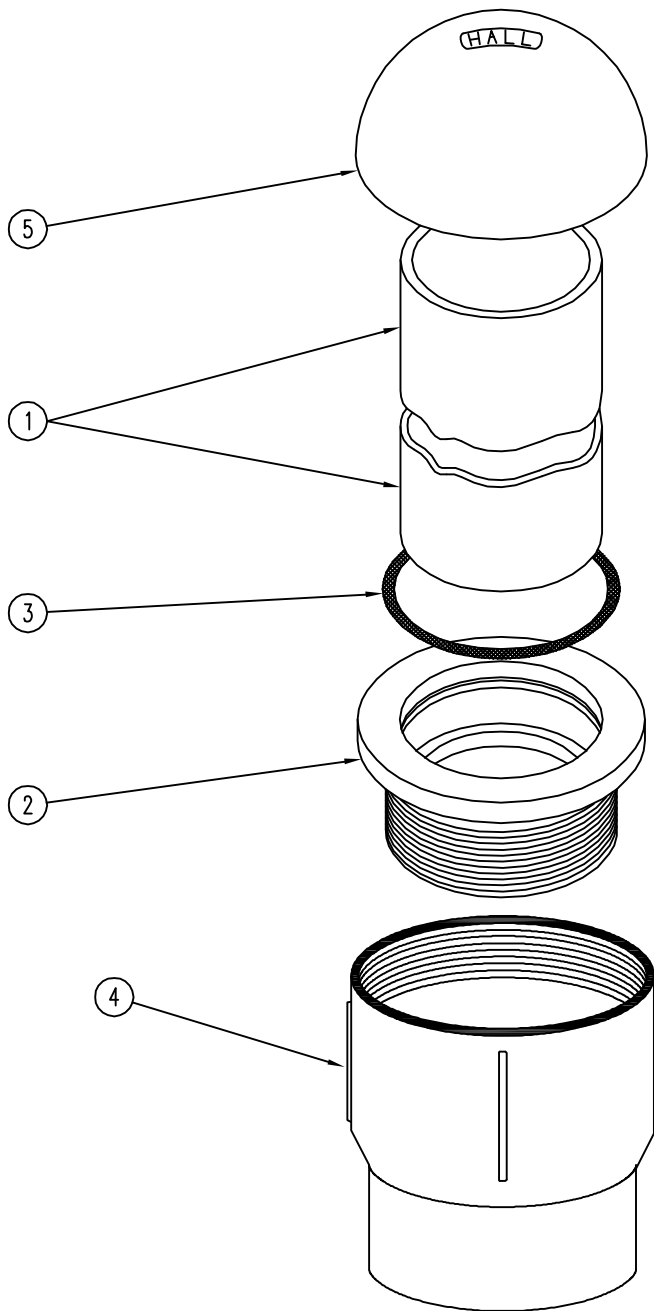


SPECIFICATIONS:

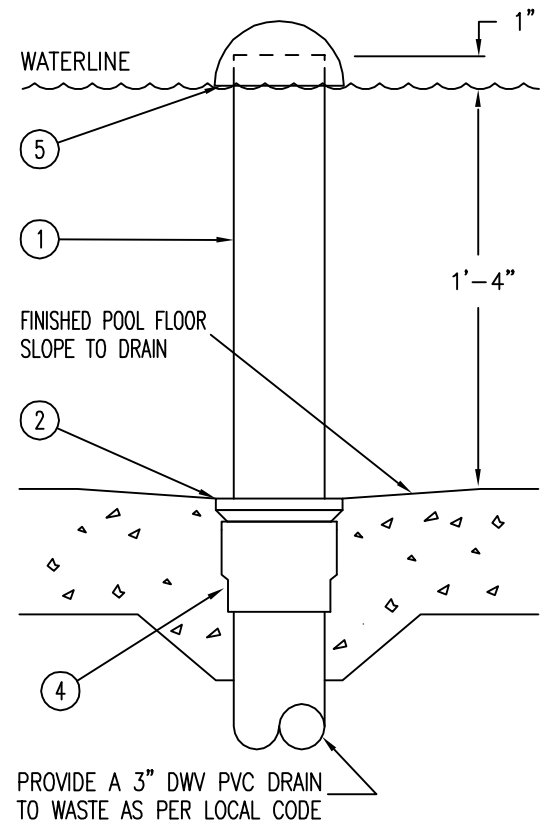
OD300 COMBINATION OVERFLOW AND DRAIN FITTING - comes complete with 3" PVC slip floor base adapter, cast bronze adjustable floor fitting with o-ring seal, brush finished stainless steel standpipe fabricated for 16" water depth, and nickel/bronze dome.

PARTS LIST:

ITEM	QTY.	DESCRIPTION
①	1	3" STAND PIPE STAINLESS STEEL
②	1	3" DRAIN BASE ADAPTER NICKEL-BRONZE
③	1	O-RING SEAL, 3" NOM. BUNA RUBBER
④	1	3" PVC SLIP FLOOR BASE
⑤	1	STAND PIPE DOME NICKEL-BRONZE



EXPLODED VIEW



TYPICAL INSTALLATION DETAIL



OD300

3" Nickel-Bronze Overflow & Drain

5500 N.W.22 AVE. FT. LAUDERDALE, FL 33309

PHONE: 1-800-777-4255 * 1-954-484-8530