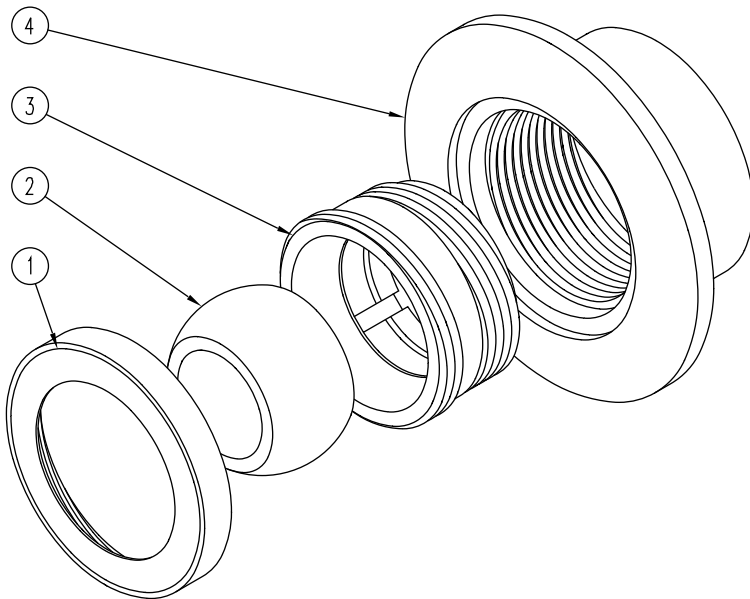


## SPECIFICATIONS:

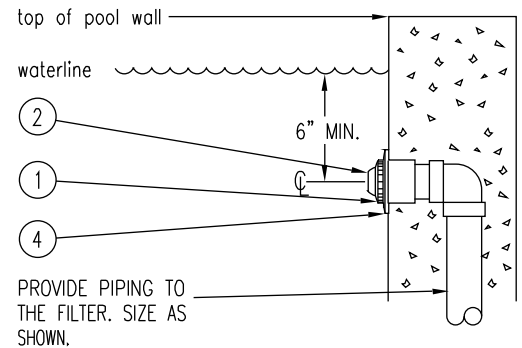
**EB150 EYEBALL RETURN FITTING** – features polished brass construction and has a 1-1/2" MPT inlet. Fitting comes complete with an adjustable direction ball and 1-1/2" MPT socket.

## PARTS LIST:

ITEM	QTY.	DESCRIPTION
①	1	EYEBALL FITTING RETAINER POLISHED BRASS
②	1	EYEBALL FITTING EYEBALL POLISHED BRASS
③	1	EYEBALL FITTING SOCKET BRASS
④	1	EYEBALL FITTING BODY POLISHED BRASS



EXPLODED VIEW



TYPICAL INSTALLATION DETAIL



# EB150CB

## Polished Brass Eyeball Return Fitting

5500 N.W.22 AVE. FT. LAUDERDALE, FL 33309

PHONE: 1-800-777-4255 \* 1-954-484-8530