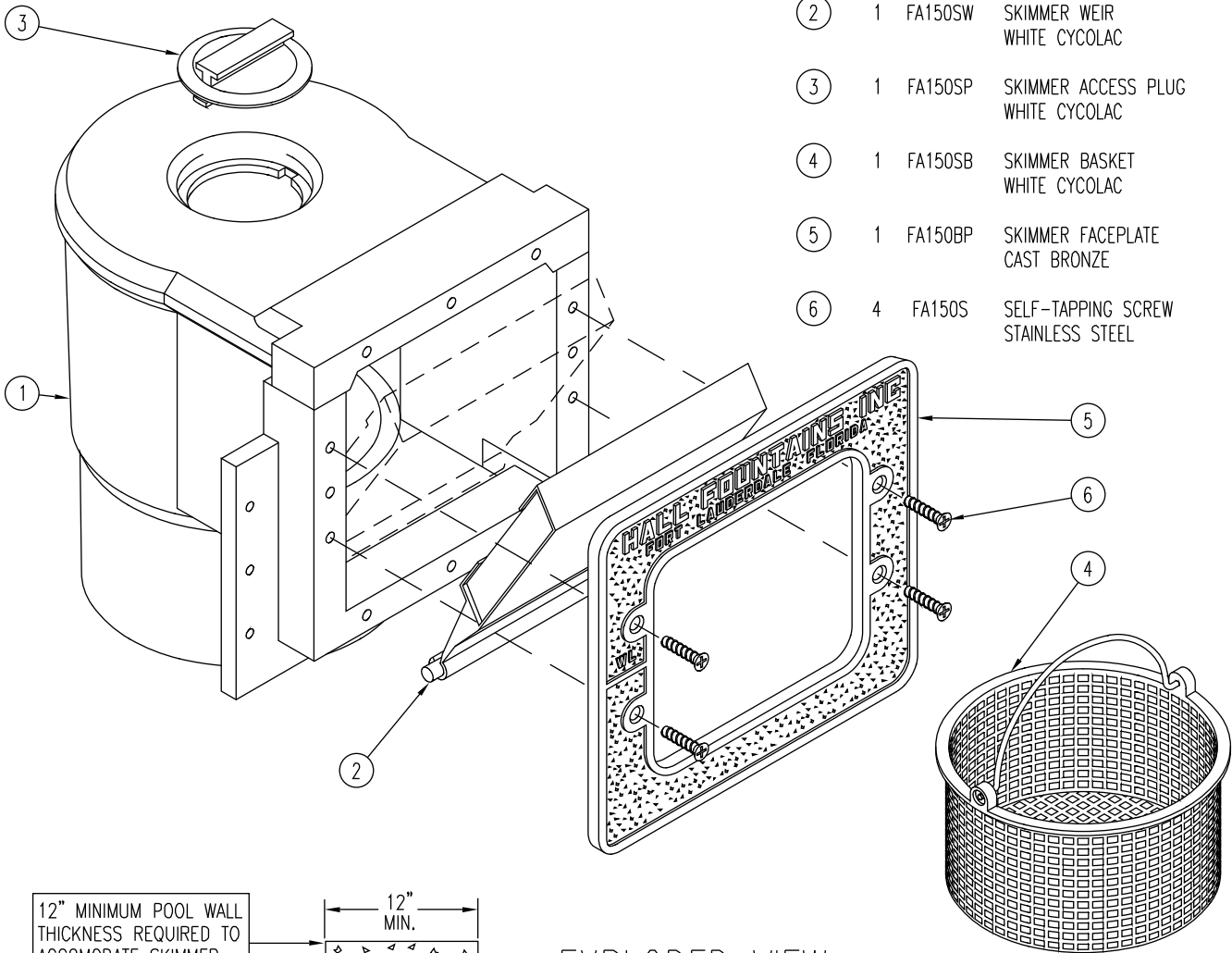


SPECIFICATIONS:

FA150 FRONT ACCESS POOL SKIMMER – constructed of rugged white cyclolac with a heavy duty cast bronze face plate and removable basket.

PARTS LIST:

ITEM	QTY.	PART #	DESCRIPTION
①	1	FA150SB	SKIMMER BODY WHITE CYCOLAC
②	1	FA150SW	SKIMMER WEIR WHITE CYCOLAC
③	1	FA150SP	SKIMMER ACCESS PLUG WHITE CYCOLAC
④	1	FA150SB	SKIMMER BASKET WHITE CYCOLAC
⑤	1	FA150BP	SKIMMER FACEPLATE CAST BRONZE
⑥	4	FA150S	SELF-TAPPING SCREW STAINLESS STEEL



12" MINIMUM POOL WALL THICKNESS REQUIRED TO ACCOMODATE SKIMMER

waterline

3-3/4"

12" MIN.

⑤

①

PROVIDE A 1-1/2 X 2" ADAPTER AND PIPING TO FILTER. SIZE AS SHOWN

TYPICAL INSTALLATION DETAIL

NOT TO SCALE

EXPLODED VIEW

NOT TO SCALE

SKIMMER BASKET IS INSERTED AND REMOVED THROUGH THE FRONT OF THE SKIMMER; SHOWN BELOW DUE TO DRAWING ROOM CONSTRAINTS.

SKIMMER IS SUPPLIED WITH AIR RELIEF HOLE TAPED OVER FOR INSTALLATION IN POUR. DO NOT REMOVE TAPE OR ACCESS PLUG.



FA150

Front Access Skimmer W/Bronze Faceplate

5500 N.W.22 AVE. FT. LAUDERDALE, FL 33309

PHONE: 1-800-777-4255 * 1-954-484-8530