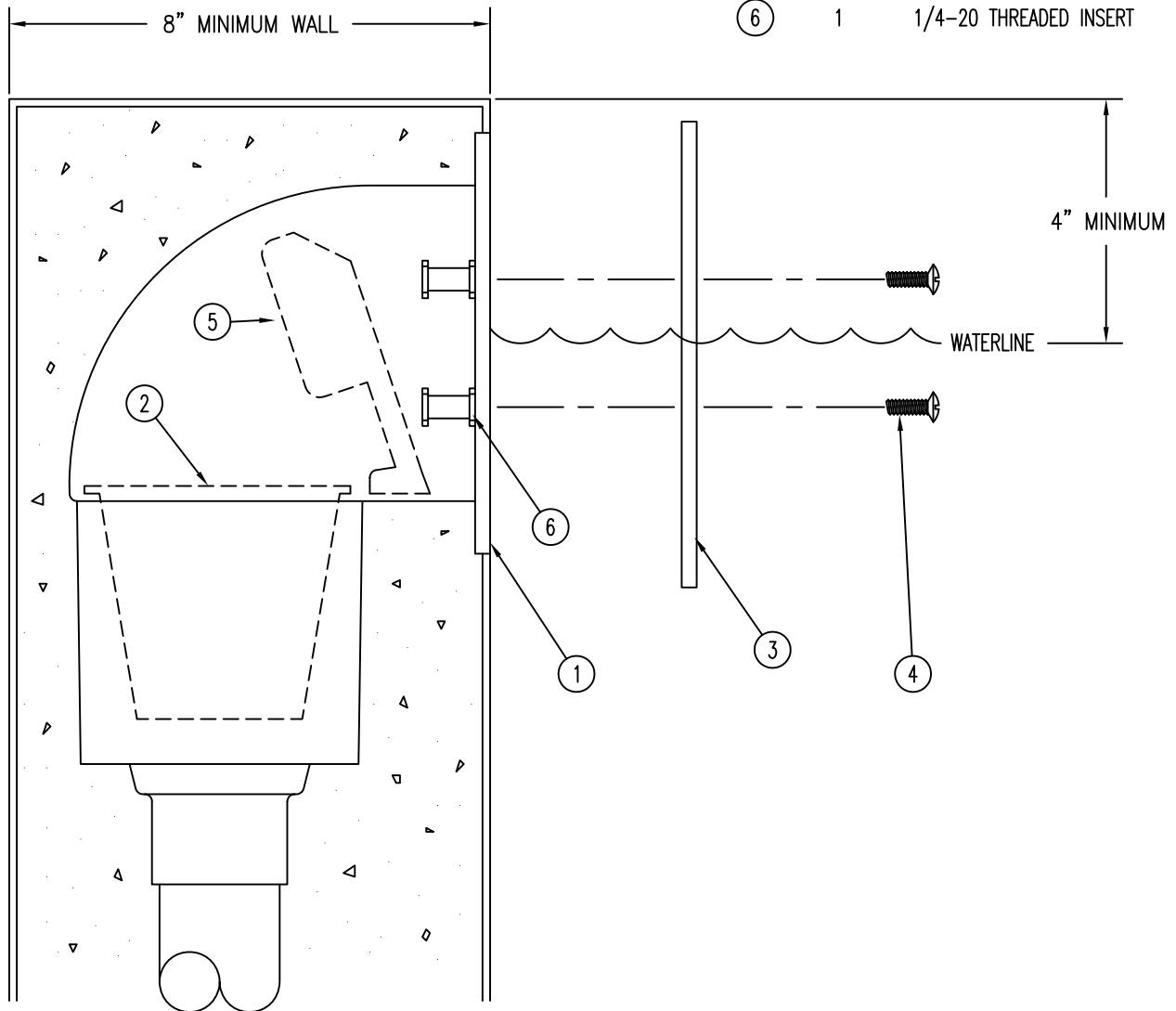


SPECIFICATIONS:

FA150J – FRONT ACCESS FOUNTAIN SKIMMER – molded in white cyclac with a removable wier and basket assembly, a 1-1/2" PVC slip inlet and a cast bronze faceplate with stainless steel and brass hardware.

PARTS LIST:

ITEM	QTY.	DESCRIPTION
①	1	SKIMMER BODY BLACK CYCOLAC
②	1	BASKET
③	1	CAST BRONZE FACEPLATE
④	4	1/4 X 1-1/2" STAINLESS STEEL PAN HEAD MACHINE SCREW
⑤	1	WIER
⑥	1	1/4-20 THREADED INSERT



FA150J

Front Access Fountain Skimmer

5500 N.W.22 AVE. FT. LAUDERDALE, FL 33309

PHONE: 1-800-777-4255 * 1-954-484-8530