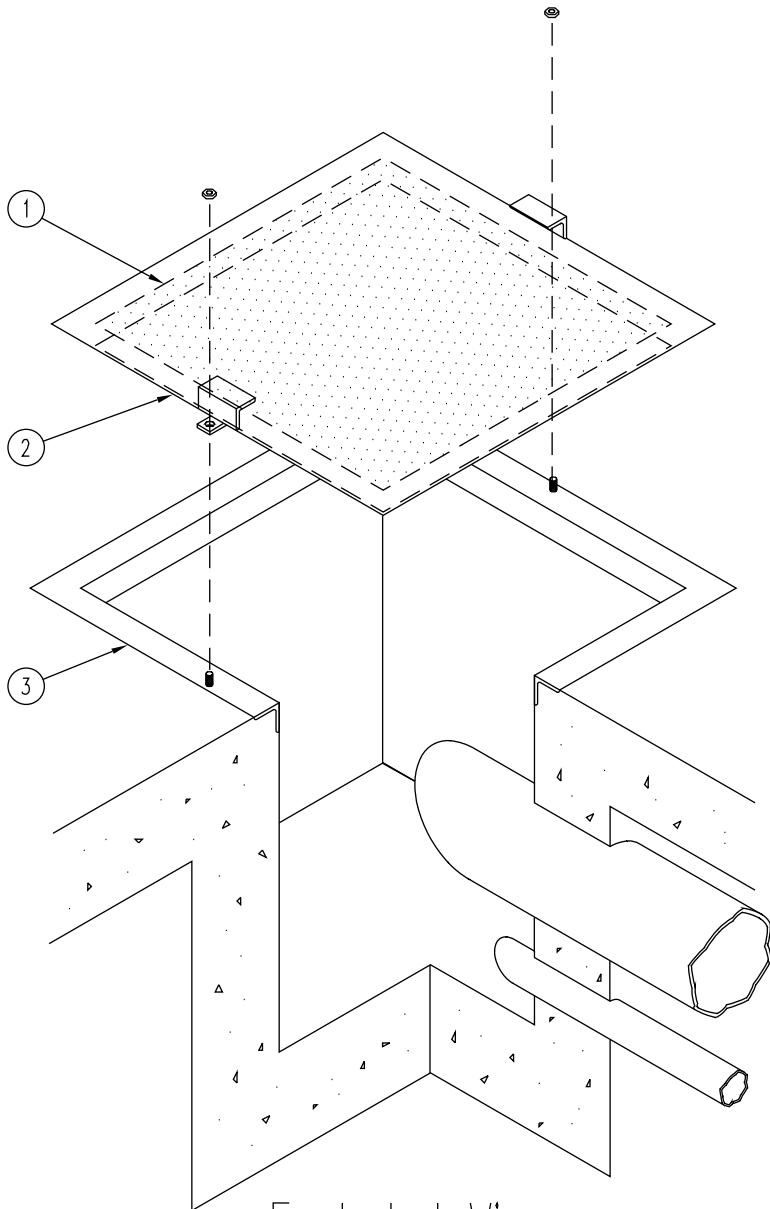


SPECIFICATIONS:

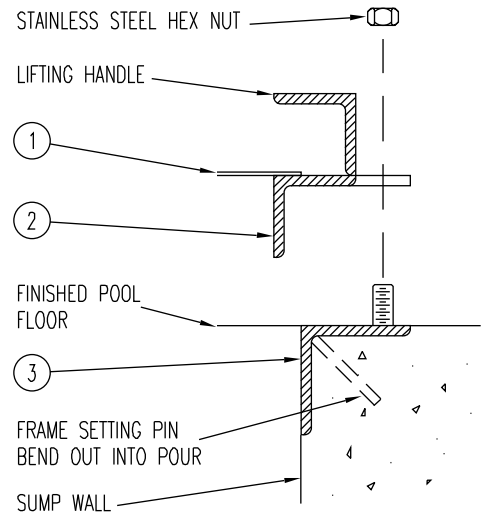
PCS STAINLESS STEEL INTAKE SCREEN – custom fabricated in various sizes for a poured intake sump. Designed with a 2" x 3/16" stainless steel angle frame with locking lugs that pour in the edge of the sump at the time of construction. The main frame, which is fabricated from 1-1/2" by 3/16" stainless steel angle, has structural cross members every foot and bolts into the frame in the pool floor, providing a flush screen held firmly in place. The screen is a perforated stainless steel sheet with 1/4" holes, spot welded to the frame. Includes lifting handles.

PARTS LIST:

ITEM	QTY.	DESCRIPTION
①	1	PCS INTAKE SCREEN PERFORATED STAINLESS STEEL
②	1	PCS MAIN FRAME STAINLESS STEEL ANGLE
③	1	PCS SUMP FRAME STAINLESS STEEL ANGLE



Exploded View
NOT TO SCALE



Typical Installation Detail
NOT TO SCALE



“PCS” Series Stainless Steel Intake Screen & Sump Frame

5500 N.W.22 AVE. FT. LAUDERDALE, FL 33309

PHONE: 1-800-777-4255 * 1-954-484-8530