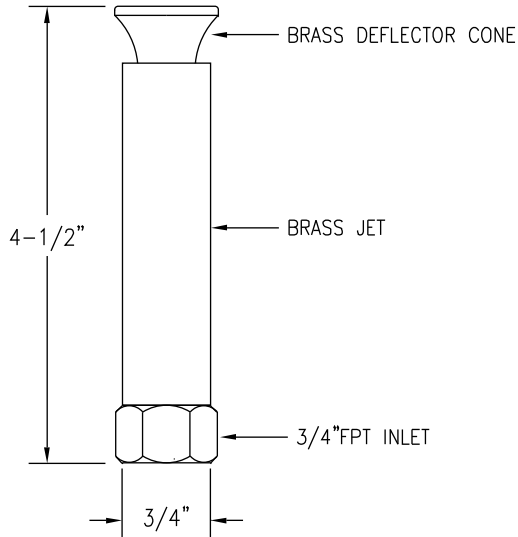
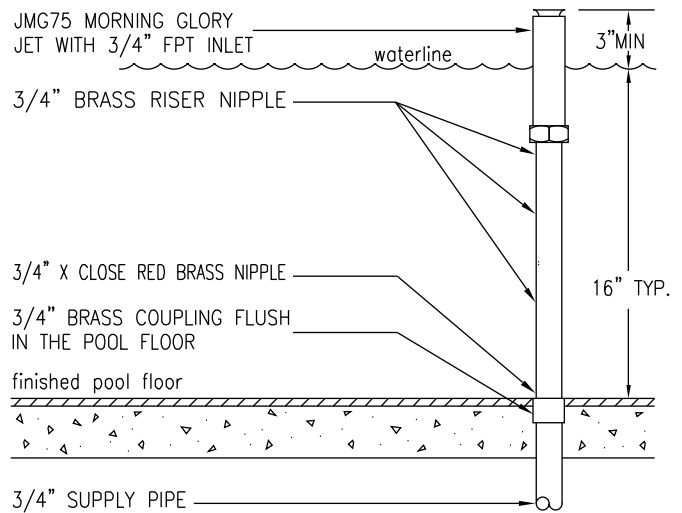


SPECIFICATIONS:

JMG75 MACHINED BRASS MORNING GLORY JET - features a 3/4" FPT inlet, jet produces a sheer ring of water arching outward with a maximum diameter of 24".



| | WIDTH | 1.5' | 2' | 3' | 4' | 6' | 8' |
|--------|----------|-----------------|-----|----|----|----|----|
| | GPM | | | | | | |
| MODEL | INLET | | | | | | |
| JM75 | 3/4" FPT | 6 | 7.5 | | | | |
| JMG75 | 3/4" FPT | 6 | 7.5 | | | | |
| JM150 | 1-1/2" | 15 | 20 | 26 | | | |
| JMG150 | 1-1/2" | 22 | 27 | 38 | | | |
| JM300 | 3" FPT | ADJUSTABLE HEAD | | | | | |
| JMG300 | 3" FPT | 70-200 GPM | | | | | |



JMG75 Morning Glory Jet

N.T.S. Typical Installation Detail



JMG75 Morning Glory Jet

5500 N.W.22 AVE. FT. LAUDERDALE, FL 33309

PHONE: 1-800-777-4255 * 1-954-484-8530