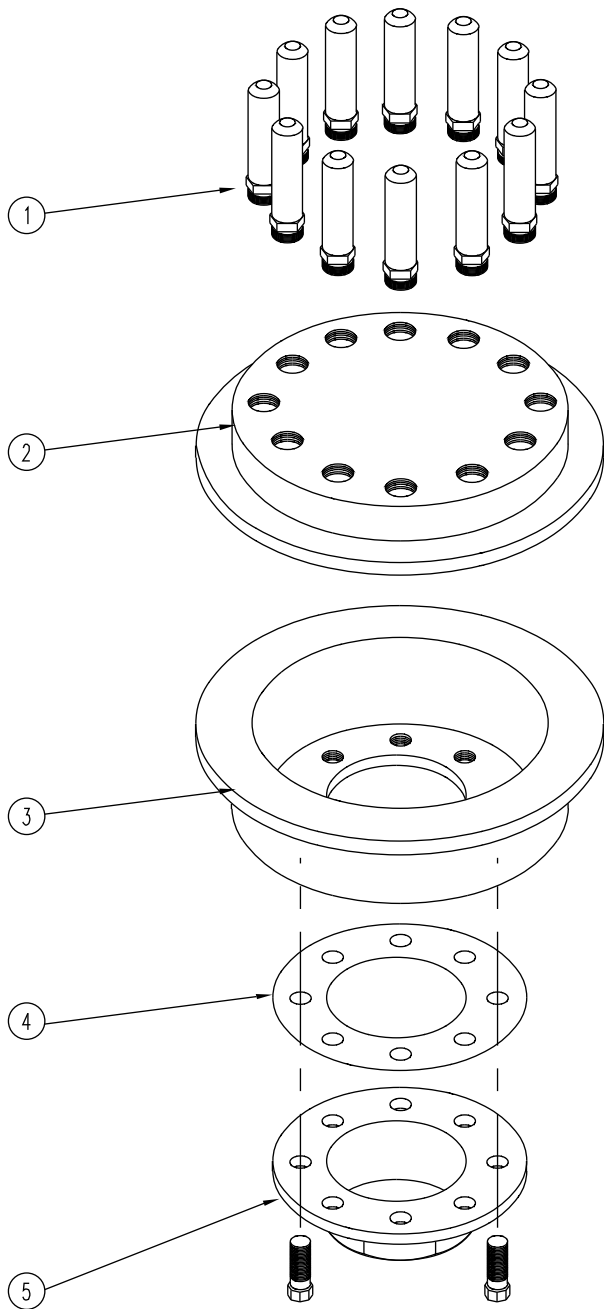


SPECIFICATIONS:

JP12-1 BRASS POD JET - features a 12" diameter one-piece welded cast bronze pod with (12) 3/8" brass smooth-bore jets and a 4" PVC socket inlet.



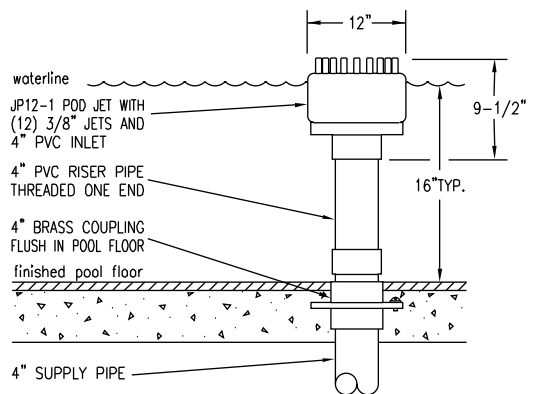
Exploded View
NOT TO SCALE

PARTS LIST:

ITEM	QTY.	DESCRIPTION
①	12	3/8" BRASS SMOOTH BORE JETS
②	1	UPPER HALF OF POD JET
③	1	BOTTOM HALF OF POD JET
④	1	RUBBER GASKET
⑤	1	4" PVC SOCKET INLET

FLOW CHART:

HEIGHT	10'	15'	20'	20'
G.P.M.	128	160	173	225
T.D.H.	15'	22'	28'	43'



Installation Detail
NOT TO SCALE



JP12-1 Brass Pod Jet

5500 N.W.22 AVE. FT. LAUDERDALE, FL 33309

PHONE: 1-800-777-4255 * 1-954-484-8530