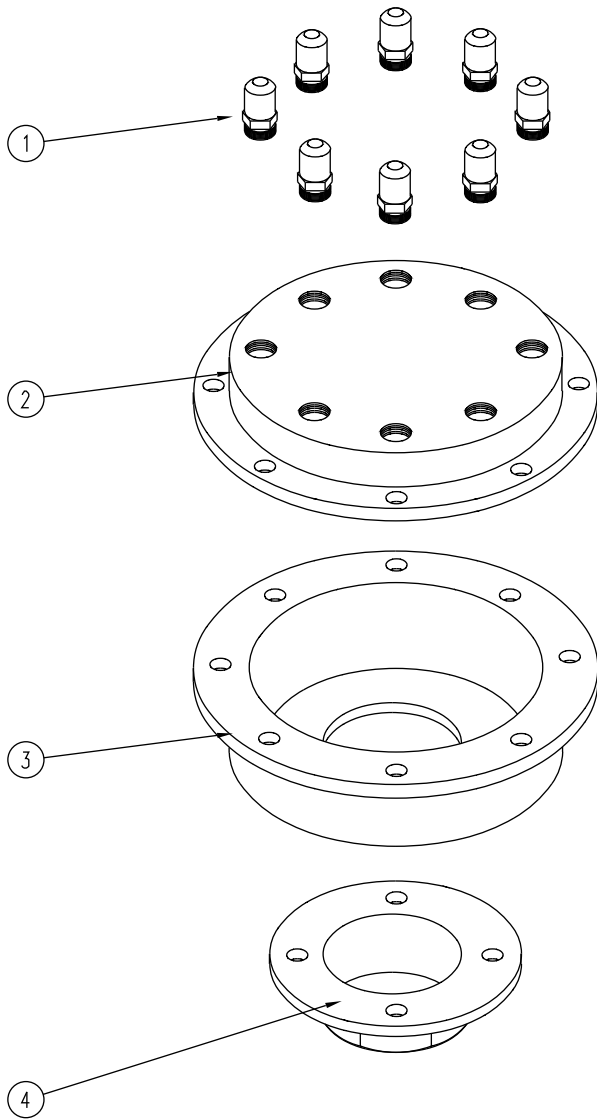


## SPECIFICATIONS:

JP8-1 BRASS POD JET - features a 8" diameter pod, 3" FPT inlet with eight 3/8" brass smooth bore jets. Pod is manufactured in two brass halves that screw apart for cleaning.

## PARTS LIST:

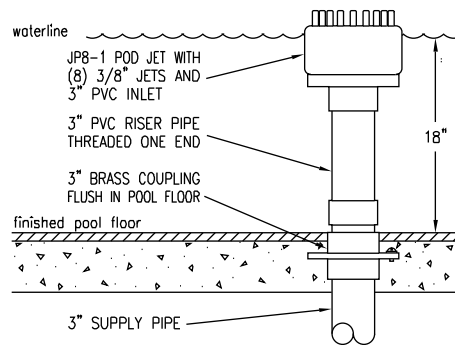
ITEM	QTY.	DESCRIPTION
①	8	BRASS SMOOTH BORE JETS
②	1	UPPER HALF OF POD JET
③	1	BOTTOM HALF OF POD JET
④	1	3" PVC FLANGED INLET



Exploded View  
NOT TO SCALE

## FLOW CHART:

HEIGHT	10'	15'	20'	30'
G.P.M.	85	106	115	150
T.D.H.	15'	22'	28'	43'



Installation Detail  
NOT TO SCALE



# JP8-2

## Brass Pod Jet

5500 N.W.22 AVE. FT. LAUDERDALE, FL 33309

PHONE: 1-800-777-4255 \* 1-954-484-8530