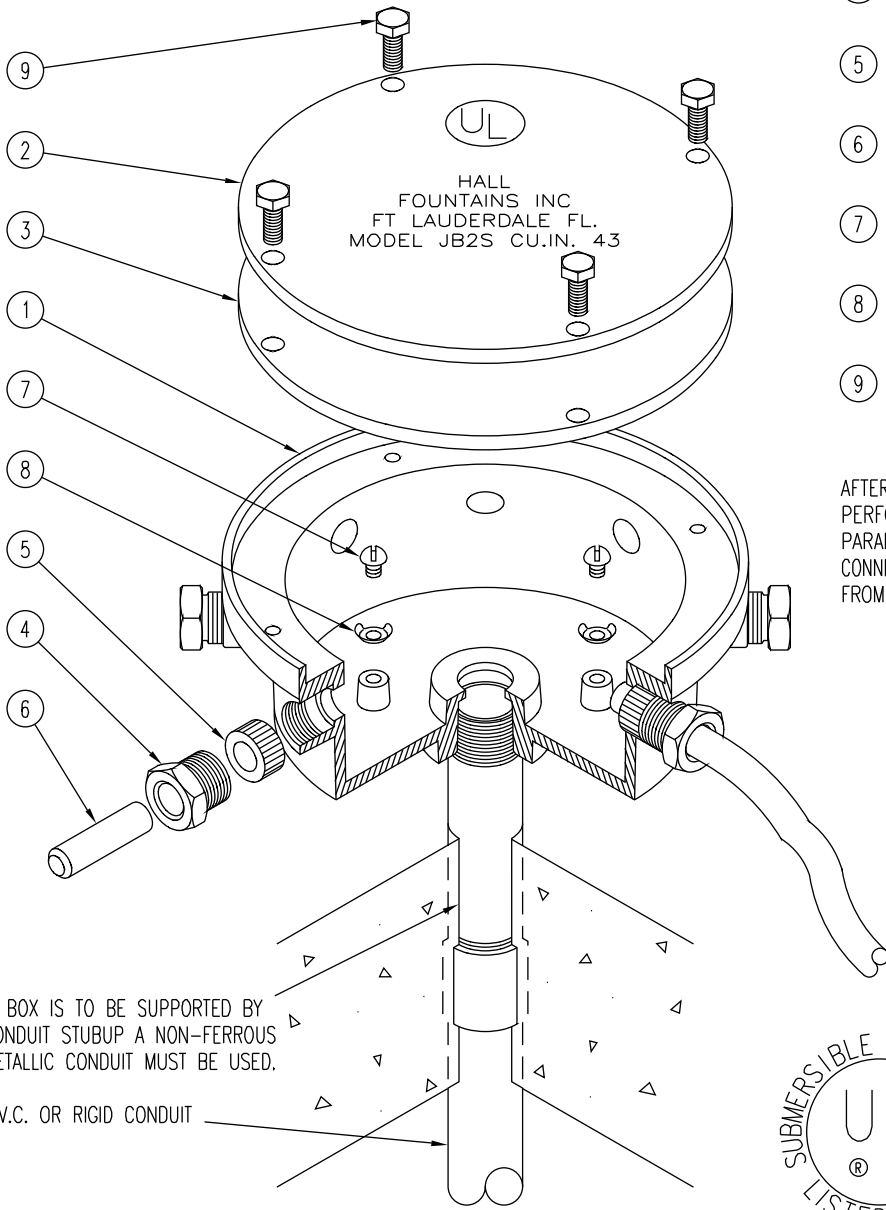


SPECIFICATIONS:

JB2S UL LISTED UNDERWATER JUNCTION BOX - features cast bronze housing and lid with stainless steel fastenings. Box has 8 (eight) openings and comes complete with cord seal nuts and neoprene grommets. If all openings are not required, delrin plugs are provided to block unused seals. A single conduit entrance in the bottom of the box is threaded 3/4" FPT. Cord seals are designed for use with 16/3 type ST cord. Box is also supplied with paraffin for potting as per section 680 of The National Electrical Code (Box volume is 43 cu. in.)

PARTS LIST:

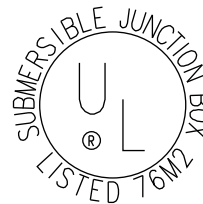
ITEM	QTY.	DESCRIPTION
①	1	JUNCTION BOX BODY CAST BRONZE
②	1	JUNCTION BOX LID CAST BRONZE
③	1	JUNCTION BOX GASKET NEOPRENE
④	8	CORD SEAL NUT PHOSPHOR BRONZE
⑤	8	CORD SEAL GROMMET NEOPRENE
⑥	3	CORD SEAL GROMMET PLUG DELIN
⑦	2	ROUND HEAD MACHINE SCREW STAINLESS STEEL
⑧	2	GROUND SCREW WASHER BRASS
⑨	4	HEX HEAD MACHINE SCREW STAINLESS STEEL



AFTER ALL WIRING HAS BEEN COMPLETED AND ALL TESTS PERFORMED, THE JUNCTION BOX MUST BE POTTED WITH PARAFFIN OR ANOTHER APPROVED COMPOUND WITH ALL CONNECTIONS COVERED IN ORDER TO PREVENT CONDENSATION FROM OCCURING WITHIN THE JUNCTION BOX.

IF BOX IS TO BE SUPPORTED BY CONDUIT STUBUP A NON-FERROUS METALLIC CONDUIT MUST BE USED.

P.V.C. OR RIGID CONDUIT



WARNING!
ELECTRICAL SHOCK HAZARD
HALL FOUNTAINS, INC. STRIVES TO MANUFACTURE FOUNTAIN EQUIPMENT OF THE HIGHEST QUALITY POSSIBLE, BUT IS STILL CONCERNED WITH THE FACT THAT WATER AND ELECTRICITY CAN CONSTITUTE A POTENTIAL ELECTRICAL SHOCK HAZARD.
FOUNTAIN ELECTRICAL EQUIPMENT MUST BE INSTALLED BY QUALIFIED KNOWLEDGEABLE PEOPLE WITH THE UTMOST OF CARE AND IN STRICT ACCORDANCE WITH ARTICLE 680 OF THE NATIONAL ELECTRICAL CODE AND ANY OVERRIDING LOCAL CODES THAT MAY APPLY.



JB2S

Bronze Submersible Junction Box

5500 N.W.22 AVE. FT. LAUDERDALE, FL 33309 PHONE: 1-800-777-4255 * 1-954-484-8530